



📍 **str. Industrialna №1, 6000 Stara Zagora, Bulgaria**

📞 **42.414734,25.647868**

☎ **+359 42 620 332; +359 42 620 776**

✉ **office@codkey.bg**

Codkey Technologies LTD is a company specializing in production and sales of programmable electronic locking systems & access control. Its industrial base is located in the town of Stara Zagora, Bulgaria.

Production is based on a Swiss license from 1991 that makes possible a lock system to be created by combining 15 code pins spirally arranged in three rows. Specialized software programs each cylinder ensuring 15 000 000 possible combinations, and creates MASTER KEY systems in ascending and descending order. It ensures traceability on each system level, with duplication possibility based on a single code. The production is a complete cycle – from the raw materials to the end product. The produced components are controlled from the start. A testing laboratory for simulation researches of the lock systems and mechanisms is built on the production base territory.

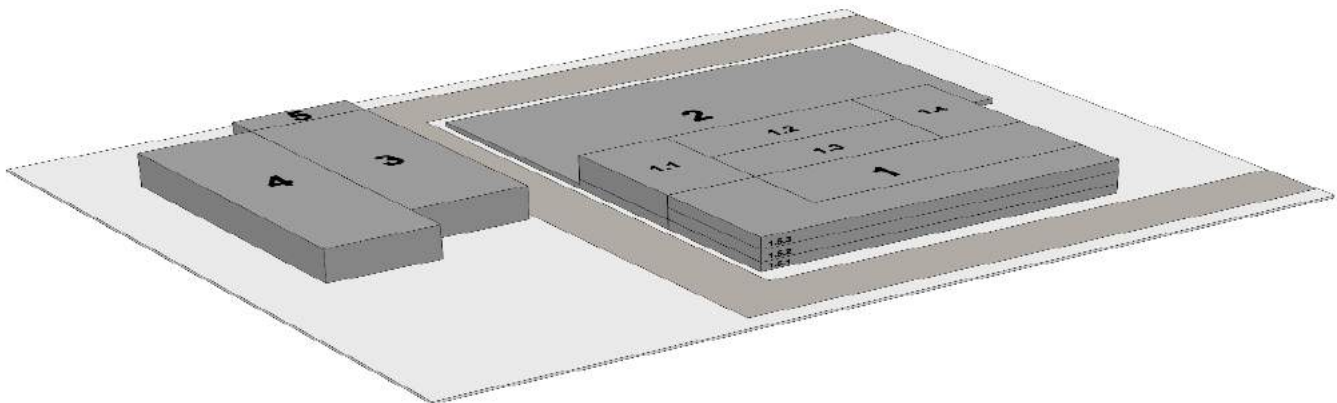
We produce a wide range of items that guarantee home, office and hotel protection under the trademark Locksys and Codkey.

Cylinders – Over 300 modifications to dimensions and construction depending on door thickness, lock type. The locks can be produced with thumbturn on one side according to the fire-precaution requirements for hotels and public buildings.

Locks – Over 100 types /main, auxiliary, one-point, two-point, four-point, with cylinder, without cylinder, for furniture, safes, boards etc.

Accessories – Model and finish variety of handles and protections

Padlocks – for warehouses, garages, auto padlocks



1. Locking systems

- 1.1 Warehouse
- 1.2 Metalworking division (Pressing)
- 1.3 Mechanical processing
- 1.4 Metalworking division(Turning)
- 1.5.1 Assembly
- 1.5.2 Assembly
- 1.5.3 Office

2. Door design division

3. Metalworking

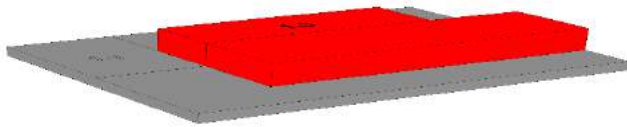
4. External Orders

5. Laboratory



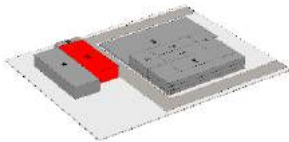
1. Locking systems

- Manufacturing coding locking systems
 1. 5-pins platforms
 - with key's length up to 80mm
 - With machine for auto assembly
 - special cylinders with length up to 150mm with technology for manual installation
 - 9-pins platform
 2. 15-pins platform
 - 24-pin with manual installation
- Locks for doors
 - Mortis locks
 - Additional locks
 - Mortis locks with multiple locking points
 - Deviators
- Mortis locks
 - For doors
 - Mechanical safe locks
 - Locks for deposits
 - Locks for electrical dashboards
- Locks orange series
 - Cylinders- 9,15,24 platforms
 - One-sided- euro profile- one-sided for sheet metal
 - Two-sided- from 44mm up to 105mm
 - with handle up to 105mm
 - Cylinder with SMAX technology
 - Cylinders with MME
- Handles
 - with cylinder protection and on plate
 - Handles on rose with cylinder protection for entrances
 - Handles on rose for interior doors
- Padlocks
 - With high level of security
- Electric locking systems
 - For access control, working schedule and control of the entrance flow



1.3 Mechanical processing

- Turning
 - automatic from 2.5mm up to 42mm
 - automatic from 5mm up to 30mm
 - program turning up to $\varnothing 300\text{mm}$
- Milling
 - mechanical on 3 axes
 - program on 3+2 axes

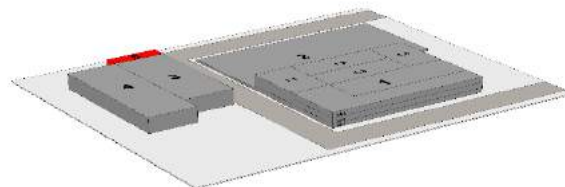
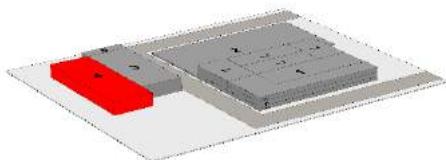


3. Sheet metal (working)

- aluminum up to 6mm
- stainless steel up to 10mm
- galvanized steel up to 6mm
- black steel up to 6mm

Laser cutting

- punching
- bending
- welding
- punchin

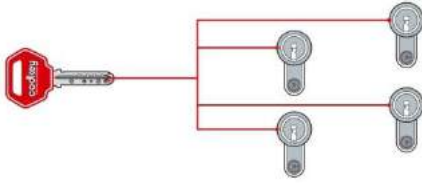


TECHNOLOGIES

MASTER SYSTEM

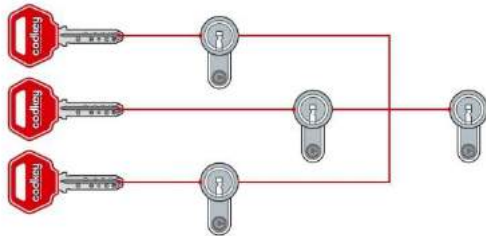
System of shared key - allows all users of the system with a key to open all doors. Suitable for single-family houses, small family businesses, villas. The system is successfully applied and SOD in combination with combination lock with two locks. One lock is coded in Master system input, and the other - in the Master system SOD whose employees handle only one access key.

Advantage: You have only one key for the entire building. In a fire, earthquake, flood, etc. can respond and save lives!

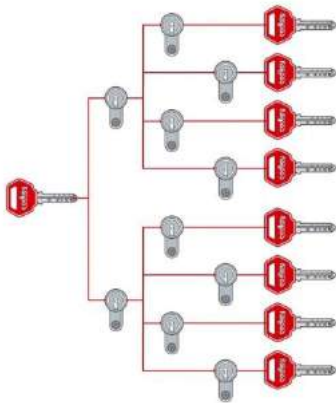


System of Central patron - this system due to the configuration is suitable for residential buildings and office centers where a number of independent users share common areas such as entrance and garages. Optionally it is possible to add a maintenance key for common areas, such as heating facilities, air conditioning and more.

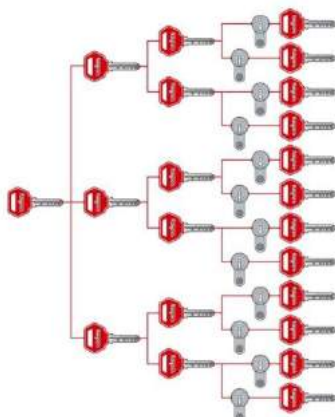
Advantage: Each tenant owner has only one key!



System master key - consists of a limited number of individual users who can open their own rooms and master key that opens all the rooms in the system - schools, hospitals.

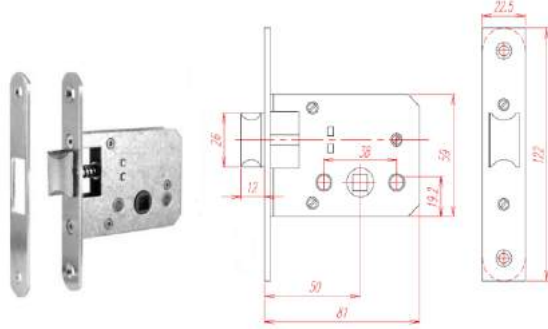


Large master system - this is a system that adapts to organizational needs and allows users to enter different rooms with one key within the scope of their duties. Typical users of this system are industrial sites, airports, hospitals, universities, hotels, administrative buildings.



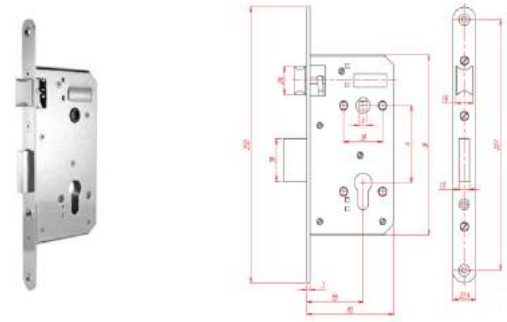
DOOR LOCK WITHOUT KEY 2007

ID Number: 1101.110



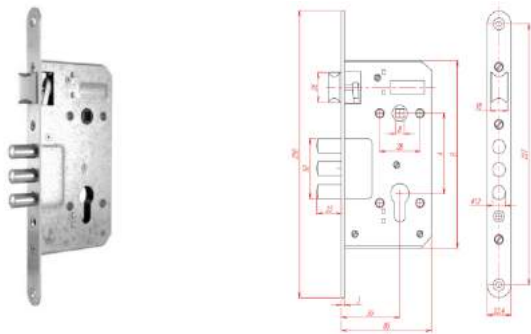
COMBINATION LOCK 2000

ID Number: 1101.2170; 1101.2172; 1101.2190



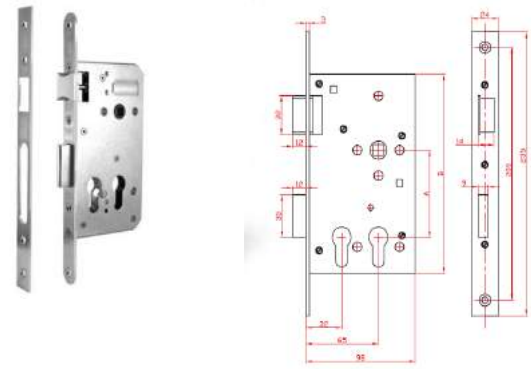
COMBINATION LOCK 2001 WITH THREE STEEL BOLTS

ID Number: 1101.2370; 1101.2372; 1101.2390



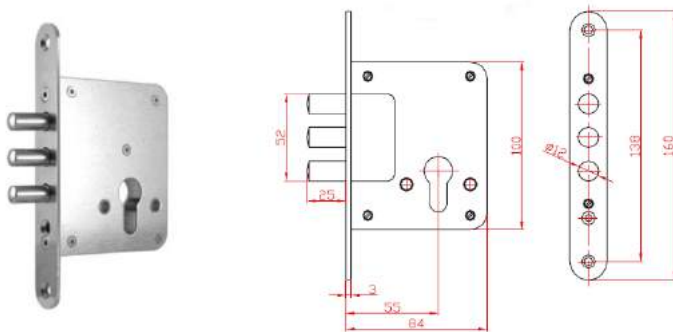
MORTISE LOCKS WITH APERTURES FOR PROFILE CYLINDERS "DOUBLE" ALONG X

ID Number: 1101.28



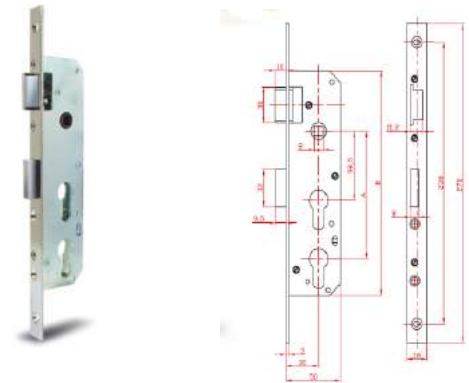
MORTISE LOCKS 2004 FOR ADDITIONAL MOUNTING AND APERTURE FOR PROFILE CYLINDER

ID Number: 1101.230



MORTISE LOCKS WITH APERTURES FOR PROFILE CYLINDERS "DOUBLE" ALONG Y

ID Number: 1101.29



COMBINATION LOCK 2006 SINGLE POINT OF CONTACT SURFACE MOUNTING

ID Number: 1101.21208



COMBINATION LOCK 2006 SINGLE POINT OF CONTACT SURFACE MOUNTING

ID Number: 1101.41

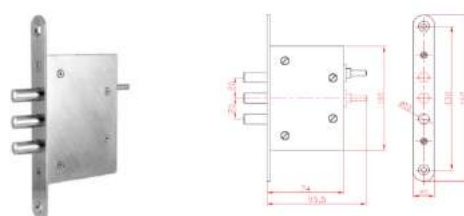
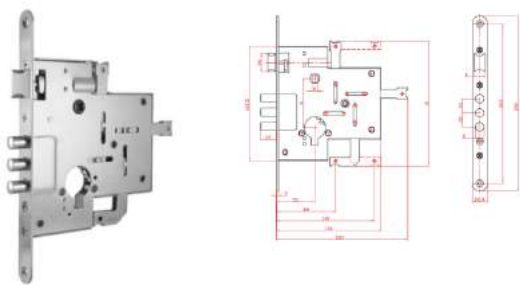


MORTISE LOCK 2005 WITH APERTURE FOR PROFILE CYLINDER AND FOUR POINTS OF CONTACT

ID Number: 1101.500.372; 1101.500.472

ADDITIONAL LOCK WITHOUT DEVIATOR CYLINDER

ID Number: 1101.6

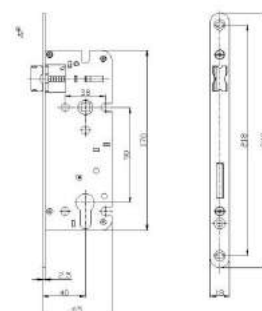
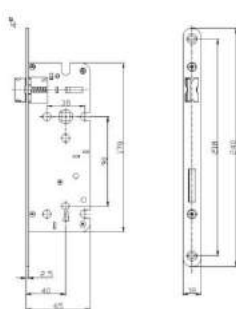


LOCK ORANGE ORDINARY

ID Number: 11012.119040183

COMBINATION LOCK ORANGE

ID Number: 11012.219040183; 11013.218540233;
11013.218545233; 11013.218550233

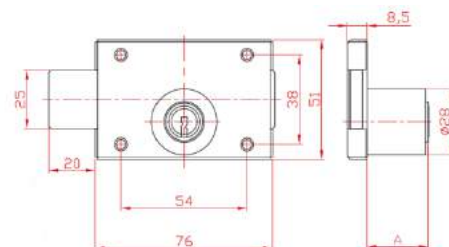
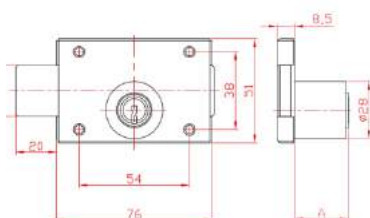


LOCK 2010 UNILATERAL SINGLE-MOTION

ID Number: 1101.711;1101.712

LOCK SINGLE-MOTION TRILATERAL

ID Number: 1101.7211;1101.7212

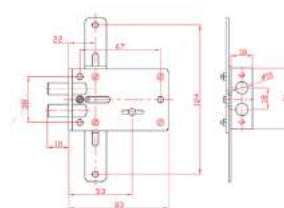
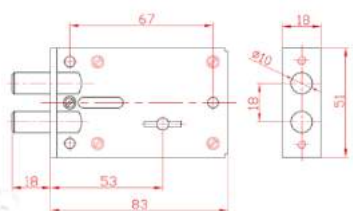


LOCK UNILATERAL SINGLE-MOTION FOR SAFETY DEPOSIT

ID Number: 1101.7113

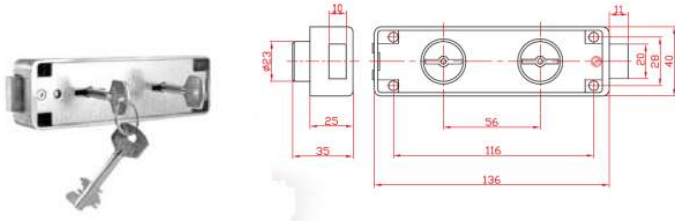
LOCK TRILATERAL SINGLE-MOTION FOR STRONG-BOXES AND SAFETY DEPOSIT BOXE

ID Number: 1101.7313



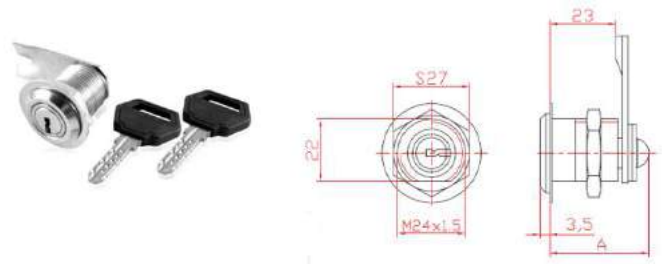
AUTHORIZED ACCESS LOCK FOR SAFETY DEPOSIT BOXES

ID Number: 1101.7213



LOCK UNILATERAL SINGLE-MOTION CYLINDER TYPE WITH METAL CASING

ID Number: 1101.71111;1101.71121



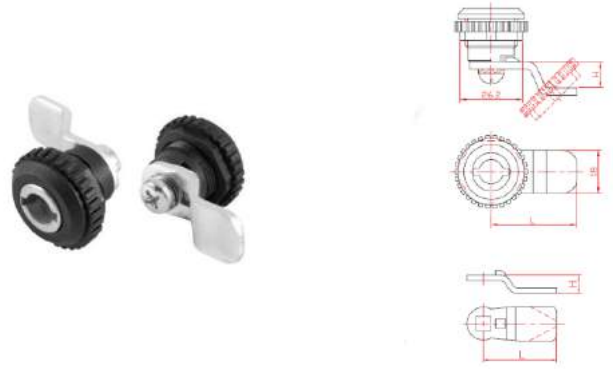
LOCK UNILATERAL SINGLE-MOTION CYLINDER TYPE WITH PVC CASING

ID Number: 1101.71122



LOCK FOR METAL LOCKERS SINGLE-MOTION WITH METAL ROTARY

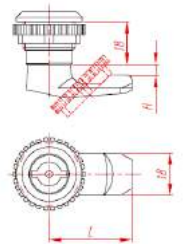
ID Number: 1101.71141



ID Number: 1101.71142

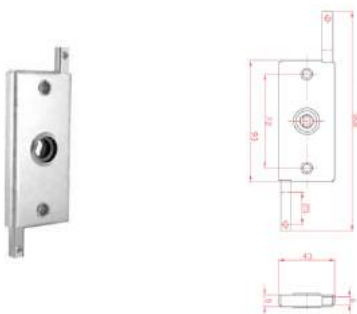
BUTTERFLY LOCK FOR METAL AND PVC STREET BOXES WITH PVC LATCH

ID Number: 1101.71143



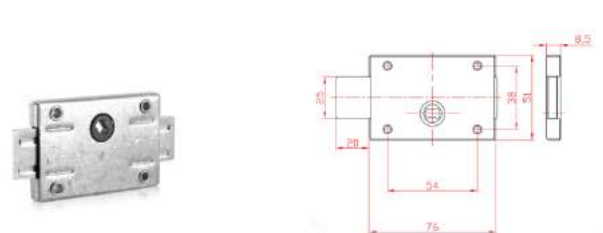
LOCK 2008 BILATERAL SINGLE-MOTION WITHOUT CYLINDER

ID Number: 1101.82



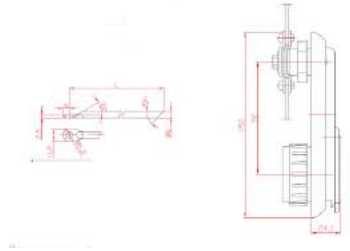
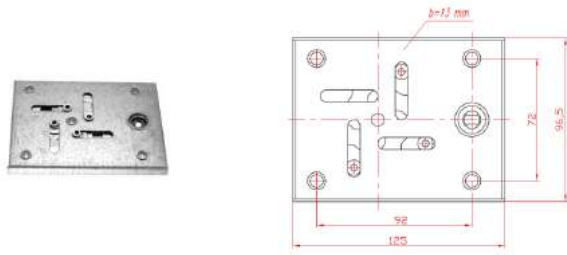
LOCK 2009 UNILATERAL SINGLE-MOTION WITHOUT CYLINDER

ID Number: 1101.81



LOCK TRILATERAL SINGLE-MOTION WITHOUT CYLINDER

ID Number: 1101.83; 1101.84

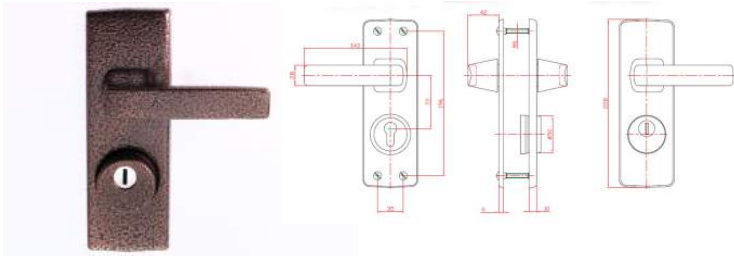


LOCK TRILATERAL SINGLE-MOTION WITHOUT CYLINDER

ID Number: 1101.83.1

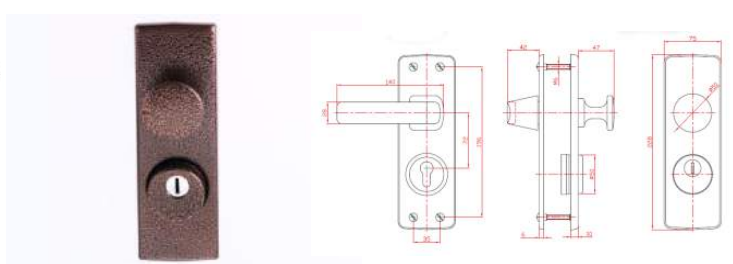
FULL CLASSIC SHIELD 5001

ID Number: 1104.11



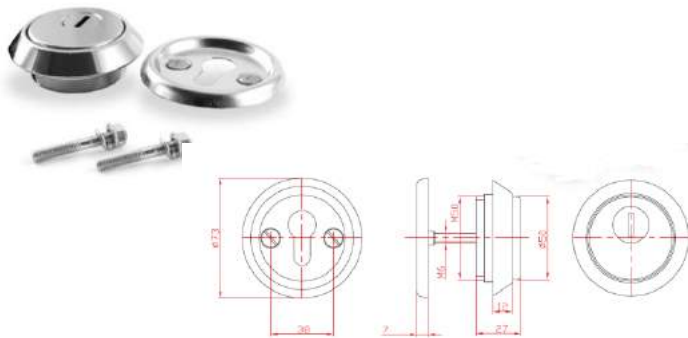
SHIELD WITH FULL PANEL WITH KNOB 5003

ID Number: 1104.13



PROTECTION 5004

ID Number: 1104.3



PADLOCK

ID Number: 1105.2; 1105.63



UNIVERSAL LOCKING SYSTEM K-ZAP-29

ID Number: 1105.62



UNIVERSAL LOCKING SYSTEM ZAP-29

ID Number: 1105.61



ELECTRONIC SYSTEM OF ENTRANCES AUGUSTA HOME

