

Project locks.



Project locks.



ASSA ABLOY

nemef.com

ASSA ABLOY, the global leader
in door opening solutions



Nemef guarantees an extensive and continually growing assortment of locks and builders' hardware, such as door locks, profile cylinders, multi-point locks and access control. These quality products that leave the Nemef plant reach their customers quickly and efficiently due to a hypermodern distribution centre. Nemef is working today on the standard for tomorrow through innovative product development focused on contemporary user convenience.

Contents

Article no.	Page	Article no.	Page
Technical explanations	6–12	D197 FA (7000 series)	40
Standards	13	D197 RI (7000 series)	41
D066	32	D268	51
D118	21	D280	47
D125	22	D281	59
D126	22	D285 FA	60
D128	48	D301	53
D140 (1030 series)	15	D303	56
D141	16	D305	54
D141 SD	43	D307	55
D142	19	D308	57
D147 (1060 series)	17	D441	38
D147 R/L	66	D520 R/L	63
D147 FA R/L	67	D520 FA R/L	64
D147 RI R/L	68	D520 RI R/L	65
D148	44	D524 – D534, D534 H	49
D150	20	D541 (7000 series class 4)	34
D153	18	D541 R/L	69
D161	28	D541 FA R/L	72
D162	23	D541 RI R/L	73
D166	27	D542	37
D167	24	D543, D553, D543 H, D553 H	50
D168	25	D544	36
D169	26	D549	35
D170	29	D549 R/L	74
D171	30	D976	45
D172	31	340	62
D197 (7000 series)	39	6100	71
		6600	70

Project locks

Contents according to number
Minimum order specifications
Technical explanations, standards

1

Locks for wooden doors

2

Locks for public and commercial buildings

3

Locks with increased security

4

Locks for metal doors

5

Metal frame locks

6

Anti-panic locks

7

Non-handed locks

8

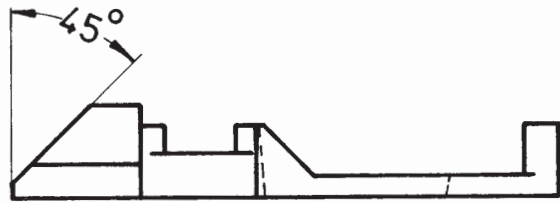
Keys and strike plates

9

Technical explanations

Latch

This latch is slanted at 45° and can be described as advantageous latch head form, from a technical aspect and relative to the available space. All attempts to improve the sliding surface of the latch by changing its shape have failed to achieve the desired results. The smoothness of the latch can be influenced by suitable surface treatment (nickel plating, chrome plating, SERMETEL coating, etc.) and the material utilised (plastic).



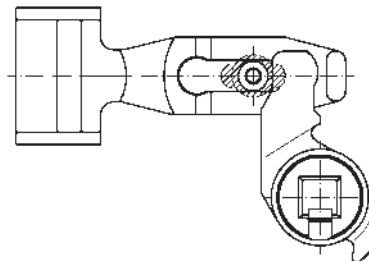
Cranked latch

The cranked latch is a latch consisting of two parts. A crank mounted in the latch body and supported under the face plate pulls the latch into the lock case through the application of pressure on the crank. Crank latch locks are available for internal door locks with a face plate width of 20 mm or wider.



Noise suppressor

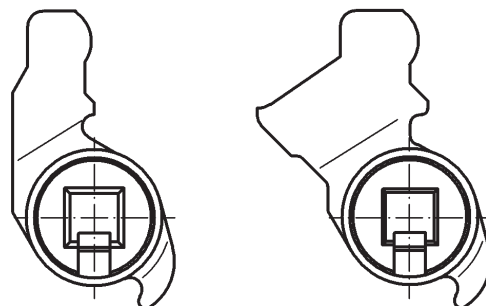
A noise suppressing material is used in the vicinity of the follower leaf, latch end and guide bolt preventing metal striking upon metal when locking and retracting the latch and follower leaf.



Fixed follower

Malleable cast iron with 8 or 9 mm spindle.

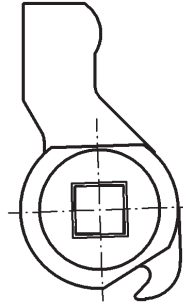
The follower is equipped with a crowned flat spring that continuously forces the spindle into a positive position. The spindle can be inserted from both end of the follower.



Technical explanations

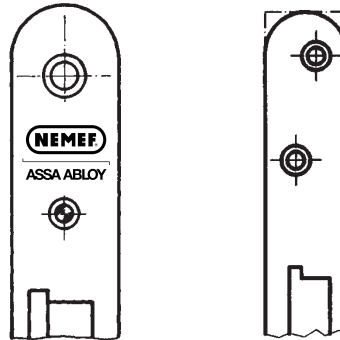
Combination tension follower

Three-part follower. 8 mm. Two polyamide plastic shells (shock resistant) hold the loosely inserted steel core that transmits the movement of the spindle to the latch. The handle raising spring exerts continuous pressure on the follower shells ensuring the spindle is firmly fitted. Mounting the lever handle: insert the spindle to the stop. Apply pressure in operating direction and push spindle through.



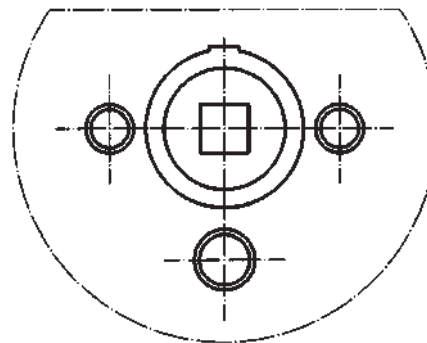
Ball oiler (illustration left)

Nickel-plated lubricating device with ball closure.



Offset fixing holes (illustration right)

Offset fixing holes strengthen the mounting and secure the face plate in the door leaf.



Metal chip protection sleeve

These protective sleeves are situated on the fixing holes to prevent metal particles from entering the interior of the locking mechanism when the lock is fitted. They also help prevent incorrect drilling of the lock case.

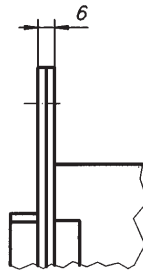
Sinter metal rings

IKON locks for public and commercial buildings are equipped with followers mounted in self-lubricating sinter metal rings. Sinter metal rings in the plate and cover increase the follower contact surface and minimise wear, both in a radial and axial direction.

Technical explanations

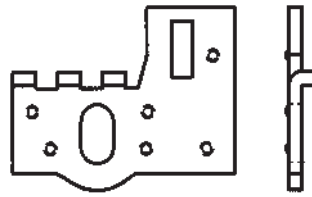
Double face plate

A double face plate is used for increased security. The increased contact surface between latch, bolt and double face plate increase stability and help to prevent the door from breaking out due to static and dynamic stress.



Triple tumbler

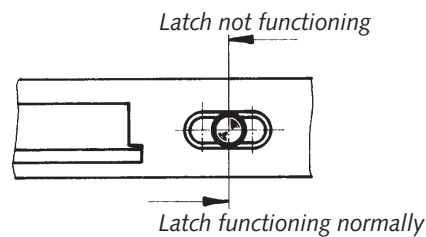
A tumbler with a triple engaging mechanism is integrated in locks meeting DIN class 4 and 5 and locks requiring enhanced security. The bolt counterforce is considerably increased as a result.



Snib (mechanical override)

Provided the lock is equipped with a transmission, the latch can be held in a retracted position inside the lock case by means of the snib to ensure free access from both sides of the door. This may be necessary in doctors' practices, lawyers and solicitors' offices, etc.

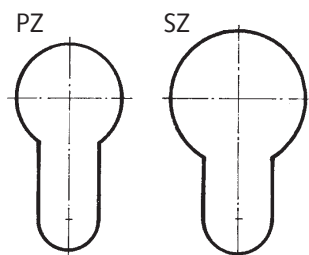
The latch is pressed into the face plate and arrested in the face plate via the snib. As soon as the snib is retracted the latch is released and operates via the transmission and lever handle once again.



PZ/SZ

PZ = Profile cylinder (DIN 18252)

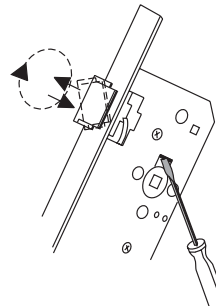
SZ = Swiss cylinder



Technical explanations

Turning the latch in locks for wooden doors

1. Lift restrictor stay on screwed cover side.
2. The latch springs forwards.
3. Turn the latch head in the desired direction.
4. Press in the latch.
5. The lock can now be used.



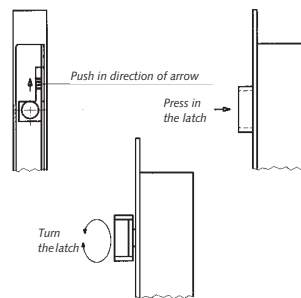
Turning the latch in locks for tubular frames

Shifting the latch without auxiliary aids.

A lever located in the lock case (clearly visible on the rear of the lock) is pushed in the direction of the arrow.

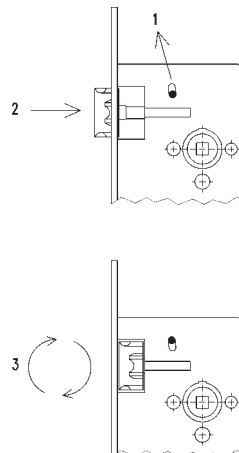
The latch is forced out of the face plate by spring force.

Turn the latch in the door opening direction and press in.



Turning the latch in ÖNORM locks

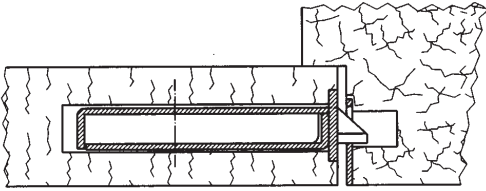
1. Push the latch upwards.
2. Press in the latch.
3. Turn the latch.



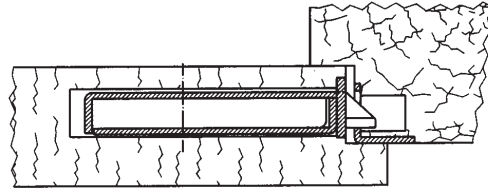
Technical explanations

Common door types

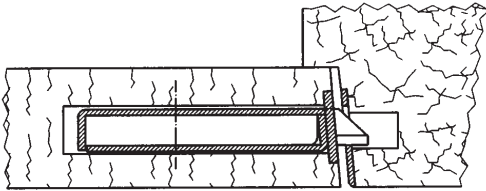
Section of a non-rebated door, lock with face plate protruding on both sides and flanged strike plate protruding on both sides.



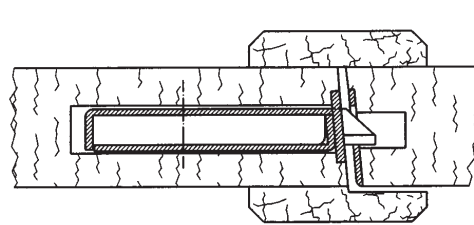
Section of rebated door, lock with face plate protruding on both sides and corner strike plate.



Section of non-rebated door, lock with slanted face plate protruding on both sides and flanged strike plate.



Section of double door, lock with slanted face plate protruding on both sides and flanged strike plate.

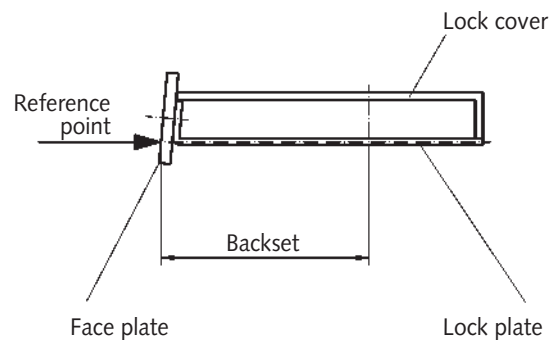


Face plates in door sections illustrated above

rebate = single-sided protruding / flush = dual-sided protruding / slanted = dual-sided protruding, however angled to lock case (see angle table). The backset is always determined from the base plate secured in the face plate in the case of locks with an angled face plate.

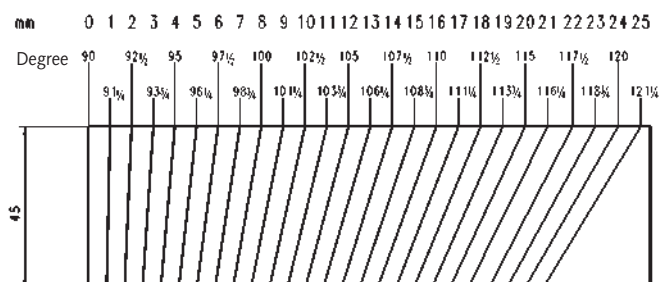
Face plates are available in rectangular or rounded versions.

Determination of backset for angled face plates



Angle table

The face plate angle relates to a door thickness of 45 mm. The angle is expressed in mm and indicates the number of mm the front of the door deviates from a 90° angle.



Technical explanations

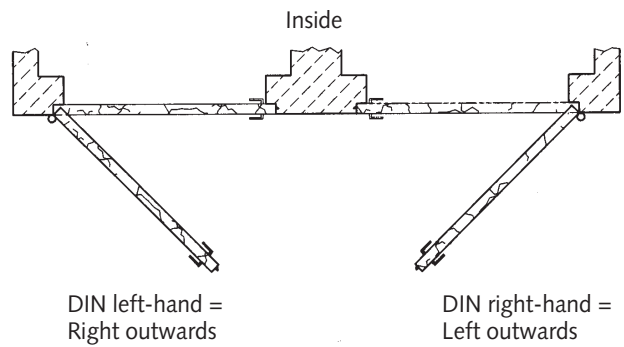
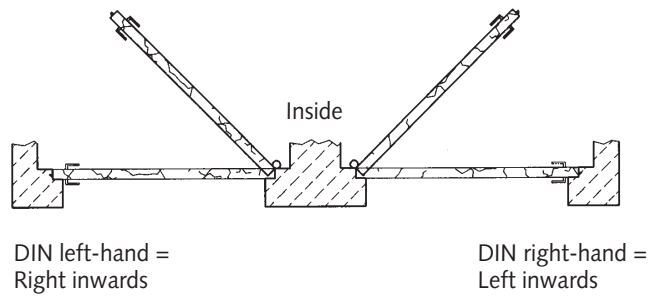
Door directions

Left outwards and right inwards = DIN left

Right outwards and left inwards = DIN right

The door direction (or side designation) is determined by DIN 107 (construction engineering, left and right designations).

Please use only the DIN designation when ordering.



Terminology for pivoting doors

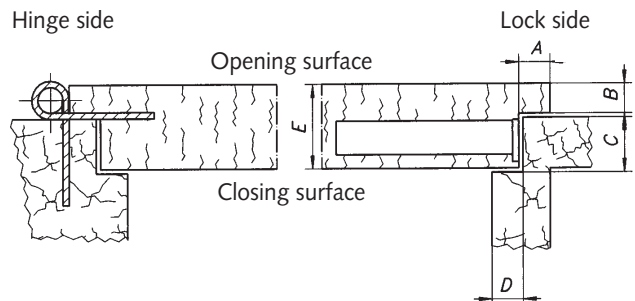
A = Rebate width (door leaf)

B = Rebate height

C = Door frame (where keep is located)

D = Frame »door stop« width

E = Door thickness



Technical explanations

Materials

Designation	Properties
Delrin	■ suppresses noise ■ high rigidity
Delrin 100, high-quality plastic from DuPont	■ excellent dimensional accuracy in every climate ■ high elasticity ■ good sliding properties
PA6.6 GF30 polyamide	■ fibre-glass reinforced plastic
Polyamide B	■ highly shock resistant and impact resistant injection-moulded polyamide
Diecast	■ RAL quality symbol for purity guarantee
Z 410/GD Zn Al 4 Cu 1 DIN 1743 Bl. 1	■ shock resistant, impact strength, impact bending resistant ■ tenacity and surface hardness ■ good anti-corrosion qualities
Malleable cast iron	■ high strength and rigidity ■ high shock resistance
GTW 40, GTS 35 in accordance with DIN 1692	■ high surface hardness ■ high impact strength (GTW 40)
Olkutil	■ extremely high strength ■ extremely hard ■ high tenacity
Copper alloy G – Cu Zn 16 Si 4	
Stainless steel	■ high strength ■ superior surface hardness ■ very high corrosion resistance
1.4301 and 1.4016 complying with DIN 17440	
Brass	■ corrosion resistant
Cu Zn 37 F38 (Ms63) complying with DIN 17670 for face plates Cu Zn 40 Pb 2 (Ms 58) complying with DIN 17670 for strike plates	
Springs	■ high strength ■ high elasticity
55 Si 7 complying with DIN 17221 Ck 53 complying with DIN 17222 Spring wire complying with DIN 17223 (patented drawn spring wire)	
Galvanised steel plate	■ high corrosion resistance
1A hot-dip galvanised quality FE P 02 G.150.NA chromized complying with DIN 17162	
Galvanised	
FE / Zn 5 cF	
Nickel-plated	
FE / Ni 5	
SERMETEL (or similar product)	■ high abrasion resistance ■ high dry lubricating properties,
SermeTel 1052, satin black, hardened coating	based on PTFE and molybdenum disulphide ■ polishes itself to a hard glassy surface during use
DELTA-TONE	
an inorganic coating with superior anti-corrosion properties	

Standards

Mortise locks for rebated doors

DIN 18251-1 (as of July 2002).

Area of application:

This standard determines the terminology, dimensions, requirements, tests and markings for mortise locks with a latch and/or bolt, including mortise locks with automatic locking suitable for fitting in rebated doors complying with DIN 18101.

Requirements and characteristics in accordance with DIN 18252-1 class 1 to 5: See Table 3 of DIN specified here and notes in catalogue.

Mortise locks for metal frame doors

DIN 18251-2 (as of November 2002).

Area of application:

This standard determines the terminology, dimensions, requirements, tests and markings for mortise locks with a latch and/or bolt, including mortise locks with automatic locking suitable for fitting in tubular frame doors.

Requirements and characteristics in accordance with DIN 18252-2 class 1 to 5: See Table 3 of DIN specified here and notes in catalogue.

Multi-point locking mortise locks

DIN 18251-3 (as of November 2002).

Area of application:

This standard determines the terminology, dimensions, requirements, tests and markings for multi-point mortise locks with a latch and/or bolt, including multiple locking with automatic locking.

Requirements and characteristics in accordance with DIN 18252-3 class 2 bis 5: See Table 3 of DIN specified here and notes in separate catalogue.

Table 3 (class 1 dispensed with for DIN 18251-3)

Class	Latch spring force N		Handle raising torque Nm	Handle torque Nm	Static latch load kN	Static bolt load kN	Bolt counter-force kN
	min.	max.					
1	-	-	min. 0,8	-	-	-	-
2	2,5	4,0	1,2±0,4	40	3	4	-
3	2,5	4,0	1,5±0,4	50	3	6	2
4	2,5	4,0	1,5±0,4	50	5	10	4
5	2,5	4,0	1,5±0,4	50	5	10	6

Mortise locks for fire-rated doors

DIN 18250 (as of October 2003).

Area of application:

This standard applies to mortise locks in single-leaf doors and mortise locks for double-leaf corridor doors. Locks complying with this

standard fulfil the requirements for safe operation of certain types of fire-rated barriers, even in the event of fire. Use of locks conforming to this standard is governed in DIN standards or general building supervisory approvals for fire-rated barriers (e. g. DIN 4102-5, DIN 4102-18).

DIN 18250: 1999-06 has been revised to reflect current engineering standards until respective European standards are adopted. The emphasis in this respect was on expanding the area of application to mortise locks for metal frame doors and multi-point locking, and the alignment of lock classes in Table 2 with lock classes in DIN 18251-1, DIN 18251-2 and DIN 18251-3.

Standard designations are also determined.

Requirements and characteristics in accordance with DIN 18250 class 1 to 5: Table 2 of DIN specified here and notes in catalogue.

Table 2 of DIN 18250 is equivalent to Table 3 of

DIN 18251-1 to 3, with the following corrections:

Latch spring force	2,5 N to 4,0 N for class 1 to 3
Handle raising torque	50 Nm for class 1 to 5
Static latch load	3 kN for class 1 to 3

Escape door function:

Suitability for use in escape doors must be proved separately for mortise locks with escape door function. Such evidence is not part of this standard (see DIN EN 179 and DIN EN 1125)

Note: It is possible that a mortise lock meets both the requirements of this standard and those of DIN EN 179 or DIN EN 1125 and is marked accordingly.

DIN EN 12209 (as of March 2004) **Locks and fittings – locks – mechanically actuated locks and strike plates – requirements and test procedures. European standard EN 12209:2003 has the status of a German standard.** Lock dimensions are set out in DIN 18250 and standards in the DIN 18251 series.

DIN ENV 1627 to 1630. Windows, doors, barriers – intrusion resistance – requirements and classification prestandard

(as of 1999).

Definition of intrusion resistance:

The property of a window, door or barrier to resist violent attempt to gain access to the room or zone being protected. The window, door or barrier is damaged or destroyed as a result of physical force or the use of defined tools. The criteria are set out in this European prestandard.

Table NA.1:

Allocation of individual resistance classes to locks, locking cylinders and protective fittings.

Only a reference to Table 1 is given here, as a prestandard is involved. The user should be in possession of this prestandard or obtain said.

Locks for wooden doors

	Article no.	Page
Lock for internal doors, DIN 18251-1, class 1	D140 (1030 series)	15
Lock for internal doors, DIN 18251-1, class 2	D141	16
Lock for apartment doors, DIN 18251-1, class 3	D147 (1060 series)	17
Main entrance door lock	D153	18
Mortise lock with thin lock case	D142	19
Glass door lock	D150	20
Dead bolt lock	D118	21
Latch	D125	22
Latch	D126	22
Sliding door lock, circular dead bolt	D162	23
Sliding door lock, with pull handle and rim dead bolt	D167	24
Keep	D168	25
Sliding door with pull handle	D169	26
Sliding door lock, closeable hook-type latch	D166	27
Sliding door lock, heavy duty hook bolt	D161	28
Swinging door lock, roller latch	D170	29
Swinging door lock, roller latch and bolt	D171	30
Roller latch	D172	31
Spring mechanism for sample boards	D066	32

D140 (1030 series)

Light mortise lock complying with DIN 18251-1, class 1

D140 K

Mortise lock for internal doors in accordance with DIN 18251-1, class 1, 55 mm bolt, 72 mm distance, 8 mm plastic follower, face plate painted aluminium finish, plastic latch and bolt (Delrin), nickel-plated tumbler key no. D640 in tails 15, 16, 35, 36.



D140 G

As previous, but with diecast latch and bolt.

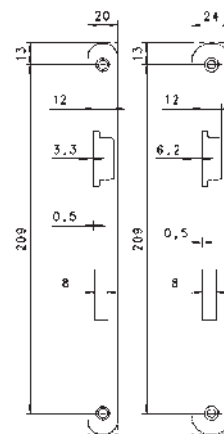
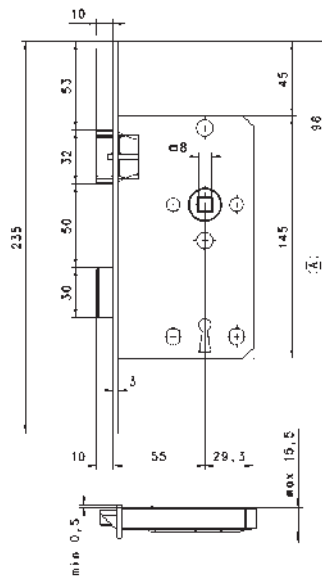
D140 BAD K

As previous, 78 mm distance, 8 mm olive follower, plastic latch and bolt (Delrin).

D140 BAD G

As previous, but with diecast latch and bolt.

Backset	•	•	•	•	55	•	•	•	•	mm
Turn	•	•	•	•	1	•	•	•	•	



Version	A
BB-K	72
BB-G	72
BAD-K	78
BAD-G	78

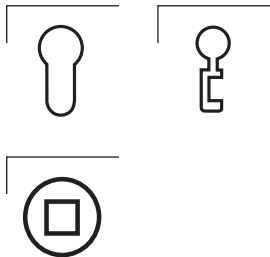
! strike plate determined in acc. with catalogue group 9

Special versions

! special versions on request

D 141

Mortise lock complying with DIN 18251-1, class 2



D141 PZW

Mortise lock for internal doors in accordance with DIN 18251-1, class 2, 55 mm bolt, 72 mm distance, 8 mm combination tension follower. Face plate painted aluminium finish, zinc-coated lock case, diecast zinc latch and bolt, zinc coated, prepared for profile cylinder with exchange.

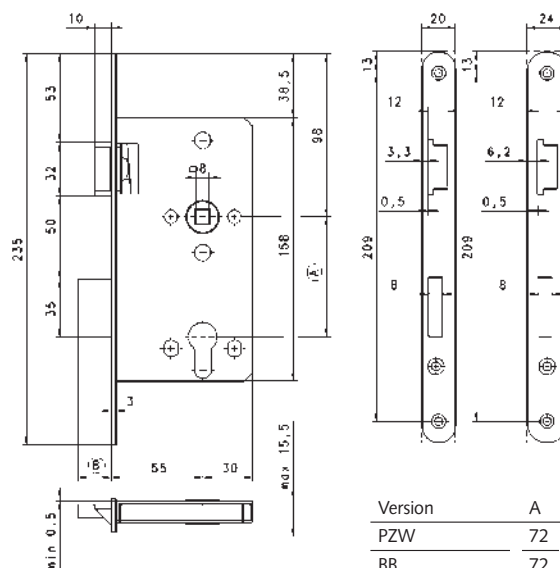
D141 BB

As previous, but with nickel-plated tumbler key Nr. D640.

D141 BAD

As previous, but 78 mm distance, 8 mm olive follower.

Backset	•	•	•	•	55	•	•	•	•	mm
Turn	•	•	•	•	2	•	•	•	•	



Version	A	B
PZW	72	20
BB	72	20
BAD	78	10

I face plate surface(OF=)	Stainless steel (satin)	Nickel-plated latch and bolt
	Stainless steel (polished)	Nickel-plated latch and bolt
	Brass (satin)	Nickel-plated latch and bolt
	Brass (polished)	Nickel-plated latch and bolt
	Painted other colours	

I strike plate determined in acc. with catalogue group 9

Special versions

I completely zinc-coated

I further special versions available on request

D147 (1060 series)

Mortise lock complying with DIN 18251-1, class 3

D147 PZW

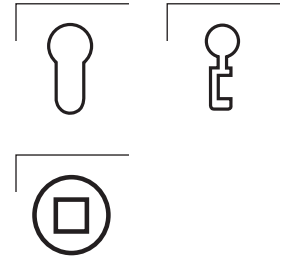
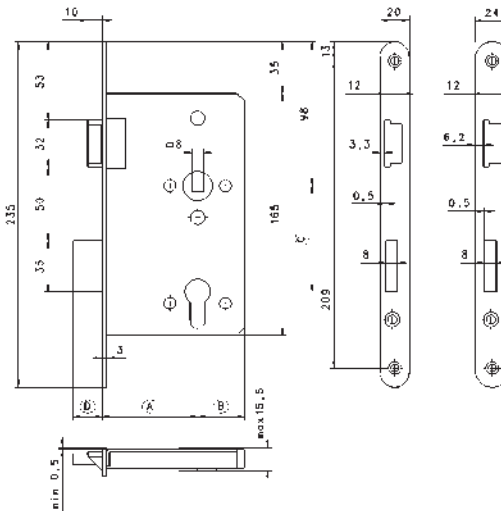
Mortise lock for internal doors in accordance with DIN 18251-1, class 3, ... mm bolt, 72 mm distance, 55 bolt with 8mm combination tension follower, other backsets with 8mm fixed follower. Face plate painted aluminium finish, zinc-coated lock case, zinc-coated latch and bolt, prepared for profile cylinder with transmission.

D147 BB

As previous, but with nickel-plated tumbler key no. D640, without transmission, available in bolt lengths 55, 60 mm.

D147 BAD

As previous, but 78 mm distance, 8 mm olive follower.



2

Version	A	B	C	D
PZW	60, 65, 70, 80, 90, 100	32	72	20
PZW	55	29,5	72	20
BB	60, 65, 70, 80, 90, 100	32	72	20
BB	55	29,5	72	20
BAD	60, 65, 70, 80, 90, 100	32	78	10
BAD	55	29,5	78	10



Backset	50	55	60	65	70	80	90	100	mm
Turn	2	2	2	2	2	2	2	2	

I face plate surface (OF=)	Stainless steel (satin)	Nickel-plated latch and bolt
	Stainless steel (polished)	Nickel-plated latch and bolt
	Brass (satin)	Nickel-plated latch and bolt
	Brass (polished)	Nickel-plated latch and bolt
	Painted other colours	

I strike plate determined in acc. with catalogue group 9

Special versions

- I completely zinc-coated
- I prepared for Swiss cylinder (SZ)
- I snib (mechanical override)
- I cranked latch lock
- I ball oiler
- I slanted face plate in accordance with table (Chapter 1)
- I further special versions available on request

Complete brass version for wet room doors

- I brass lock case
- I brass or stainless steel face plate
- I brass latch and bolt (face plate stainless steel nickel-plated)
- I brass follower and interior parts
- I Stainless steel springs

D 153

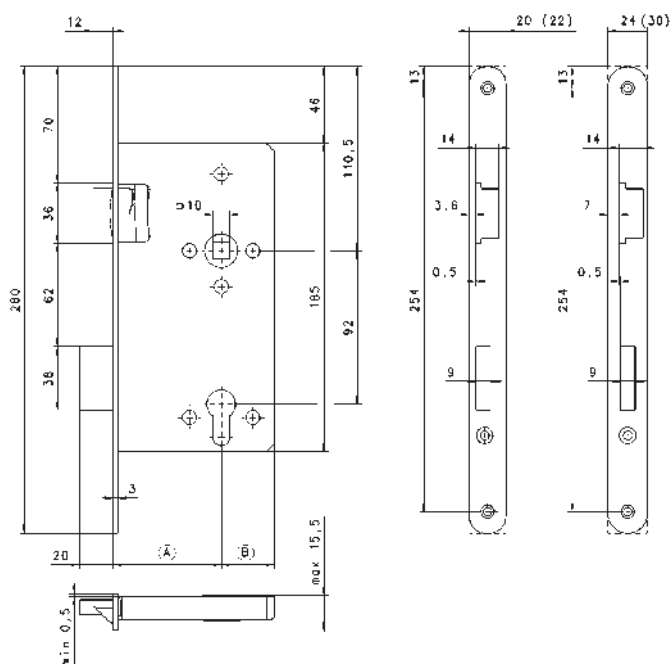
Mortise main entrance residential lock



D153 PZW

Mortise lock for main entrance doors, ... mm bolt, 92 mm distance, 10 mm malleable cast iron follower. Face plate painted aluminium finish, zinc-coated lock case, zinc-coated latch and bolt, prepared for profile cylinder with transmission.

Backset	45	50	55	60	65	70	80	90	100	mm
Turn	1	1	2	2	2	2	2	2	2	



Version	A	B	Comment
PZW	45, 50, 55, 60, 65, 70, 80, 90, 100	30	partially open case
PZW	65	32	

I face plate surface (OF=)	Stainless steel (satin)	Nickel-plated latch and bolt
	Stainless steel (polished)	Nickel-plated latch and bolt
	Brass (satin)	Nickel-plated latch and bolt
	Brass (polished)	Nickel-plated latch and bolt
	Painted other colours	

I strike plate determined in acc. with catalogue group 9

Special versions

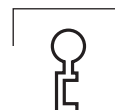
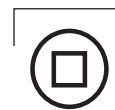
- I completely zinc-coated
- I prepared for Swiss cylinder (SZ)
- I snib (mechanical override)
- I cranked latch lock
- I slanted face plate in accordance with table (Chapter 1)
- I further special versions available on request

D142

Mortise lock with narrow lock case

D142 BB

Mortise lock with narrow lock case, 6 mm working height, 55 mm bolt, 72 mm distance, 8 mm follower. Face plate painted aluminium finish, zinc-coated latch and bolt, with nickel-coated tumbler key no. D640 (N), without transmission.

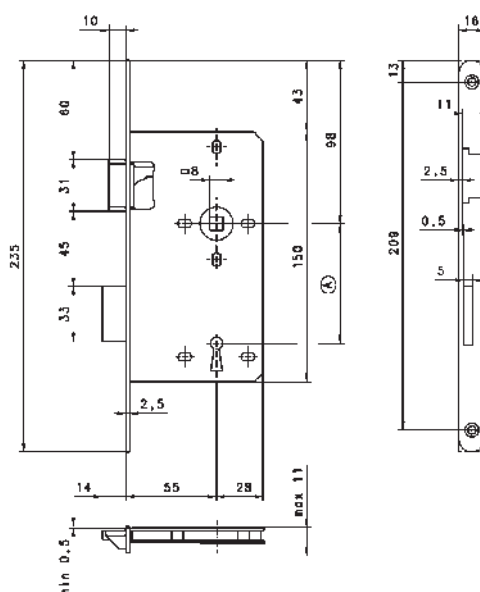


D142 BAD

As previous, but 78 mm distance, 8 mm olive follower.

Backset • • • • 55 • • • • mm
 Turn • • • • 1 • • • •

2



Version	A
BB	72
BAD	78

█ strike plate determined in acc. with catalogue group 9

D150

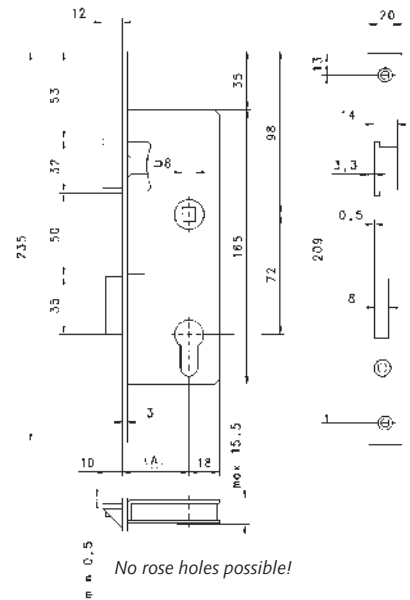
Mortise glass door lock



D150 PZW

Mortise lock for glass doors, ... mm bolt, 72 mm distance, 8 mm follower. Face plate and strike plate painted aluminium finish, zinc-coated latch and bolt, zinc-coated lock case, prepared for profile cylinder with transmission.

Backset	•	•	25	30	35	40	45	•	•	mm
Turn	•	•	1	1	1	1	1	•	•	



Version	A
PZW	25, 30, 35, 40, 45
BB	25, 30, 35, 40, 45

I face plate surface (OF=)	Stainless steel (satin)	Nickel-plated latch and bolt
	Stainless steel (polished)	Nickel-plated latch and bolt
	Painted other colours	

Special versions

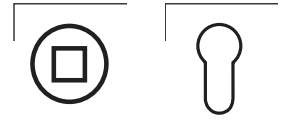
- I completely zinc-coated
- I further special versions available on request

D 118

Mortise dead lock

D118 PZ

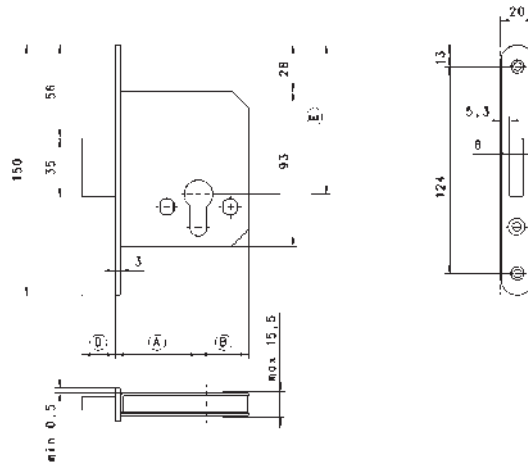
Mortise dead lock, ... mm bolt. face plate and strike plate (D012) painted aluminium finish, zinc-coated bolt, zinc-coated lock case, prepared for profile cylinder.



D118 BAD

As previous, 8 mm olive follower.

Backset	25	30	35	40	45	50	55	60	65	70	80	90	100 mm
Turn	1	1	1	1	1	2	2	2	2	2	2	2	2



No rose fixing holes possible for backsets less than 50 mm!

Version	A	B	D	E
PZ	25, 30, 35, 40, 45	18	10	90
PZ	50, 55, 60, 65, 70, 80, 90, 100	30	20	90
BAD	25, 30, 35, 40, 45	18	10	96
BAD	50, 55, 60, 65, 70, 80, 90, 100	30	10	96

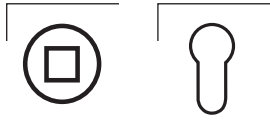
I face plate surface (OF=)	Stainless steel (satin)	Nickel-plated bolt
	Stainless steel (polished)	Nickel-plated bolt
	Brass (satin)	Nickel-plated bolt
	Brass (polished)	Nickel-plated bolt
	Painted other colours	

Special versions

- I completely zinc-coated
- I prepared for Swiss cylinder (SZ)
- I further special versions available on request

D125 / D126

Mortise latch



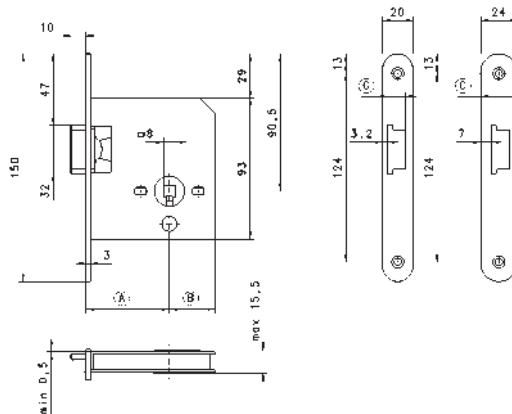
D125

Mortise latch, ... mm bolt, 8 mm fixed follower. Face plate and strike plate painted aluminium finish, zinc-coated latch.

D126 PZ

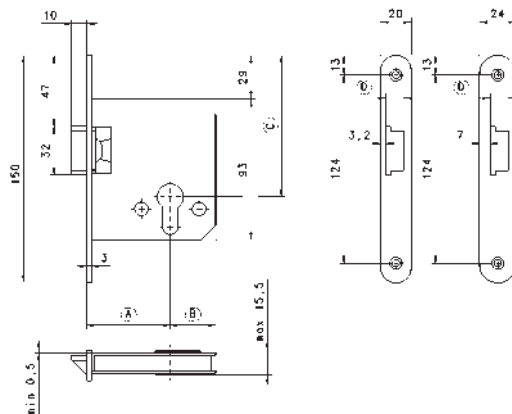
As previous, but prepared for profile cylinder.

Backset 25 30 35 40 45 50 55 60 65 70 80 90 100 mm



No rose fixing holes possible for backsets less than 50 mm!

Version	A	B	C
	25, 30, 35, 40, 45	18	82
	50, 55, 60, 65, 70, 80, 90, 100	30	93,5



No rose fixing holes possible for backsets less than 50 mm!

Version	A	B	C	D
	25, 30, 35, 40, 45	18	82	14
	50, 55, 60, 65, 70	30	93,5	12
	80, 90, 100	30	93,5	12

face plate surface (OF=)	Stainless steel (satin)	Nickel-plated latch
	Stainless steel (polished)	Nickel-plated latch
	Brass (satin)	Nickel-plated latch
	Brass (polished)	Nickel-plated latch
	Painted other colours	

Special versions

- | completely zinc-coated
- | snib (mechanical override)
- | cranked latch lock from 50 mm bolt onwards
- | further special versions available on request

D162

Mortise sliding door lock with rim dead bolt

D162 PZ

Mortise sliding door lock with rim dead bolt, ... mm bolt. Face plate and strike plate (D015) painted aluminium finish. Zinc-coated rim dead bolt, prepared for profile cylinder.

D162 BB

As previous, but with nickel-plated tumbler key no. D640.

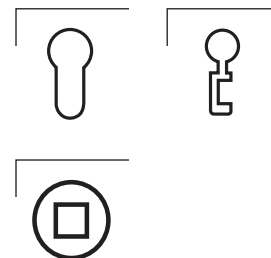
D162 BB S

As previous, but with nickel-coated tumbler folding ring key no. D640 (S).

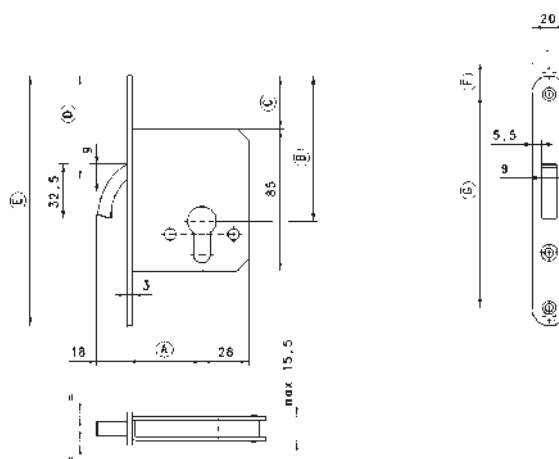
D162 BAD

As previous, with 8 mm olive follower.

Backset • • 45 50 55 60 65 70 • mm



2



Version	A	B	C	D	E	F	G
PZ**	45, 50, 55, 60, 65, 70	87	32	62,2	150	11	128
BB**	45, 50, 55, 60, 65, 70	95	32	62,2	150	11	128
BB S**	45, 50, 55, 60, 65, 70	95	32	62,2	150	11	128
BAD**	45, 50, 55, 60, 65, 70	95	32	62,2	150	11	128
PZ***	45, 50, 55, 60, 65, 70	102	47	77,2	172	13	146
BB***	45, 50, 55, 60, 65, 70	110	47	77,2	172	13	146
BB S***	45, 50, 55, 60, 65, 70	110	47	77,2	172	13	146
BAD***	45, 50, 55, 60, 65, 70	110	47	77,2	172	13	146

** Normal version, *** Special version

I face plate surface (OF=)	Stainless steel (satin)	Nickel-plated rim dead bolt
	Stainless steel (polished)	Nickel-plated rim dead bolt
	Brass (satin)	Nickel-plated rim dead bolt
	Brass (polished)	Nickel-plated rim dead bolt
	Painted other colours	

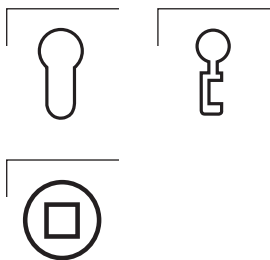
Special versions

I completely zinc-coated

I further special versions available on request

D167

Mortise sliding door lock with pull handle



D167 PZ

Mortise sliding door lock with pull handle and rim dead bolt, ... mm bolt. Face plate and strike plate (D015) painted aluminium finish, polished nickel-coated rim dead bolt, pull handle and push button, prepared for profile cylinder.

D167 BB S

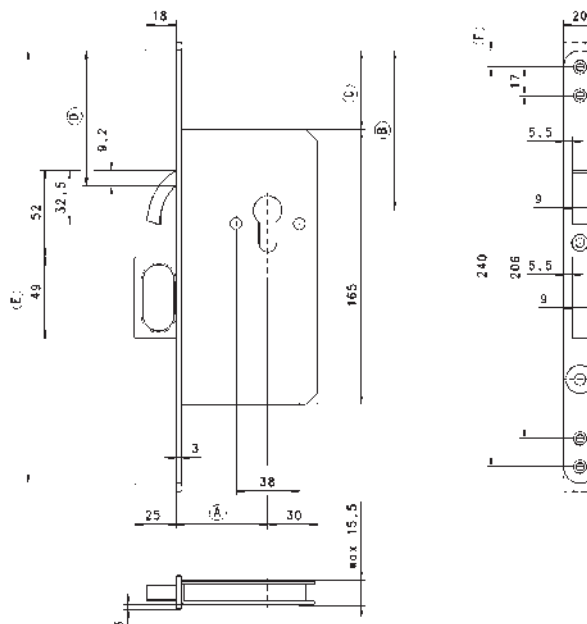
As previous, but with nickel-coated tumbler folding ring key no. D640 (S).

D167 BAD

As previous, with 8 mm olive follower.

Keep for double doors (see D168).

Backset • 45 50 55 60 65 70 80 • mm



No rose fixing holes possible for backsets less than 50!

Version	A	B	C	D	E	F
PZ***	45, 50, 55, 60, 65, 70, 80	96	47,5	81,2	260	10
BB S***	45, 50, 55, 60, 65, 70, 80	116	47,5	81,2	260	10
BAD***	45, 50, 55, 60, 65, 70, 80	116	47,5	81,2	260	10
PZ**	45, 50, 55, 60, 65, 70, 80	101	52,5	86,2	270	15
BB S**	45, 50, 55, 60, 65, 70, 80	121	52,5	86,2	270	15
BAD**	45, 50, 55, 60, 65, 70, 80	121	52,5	86,2	270	15

** Normal version, *** Special version

face plate surface (OF=)	
	Stainless steel (satin)
	Stainless steel (polished)
	Brass (satin)
	Brass (polished)
	Painted other colours

Special versions

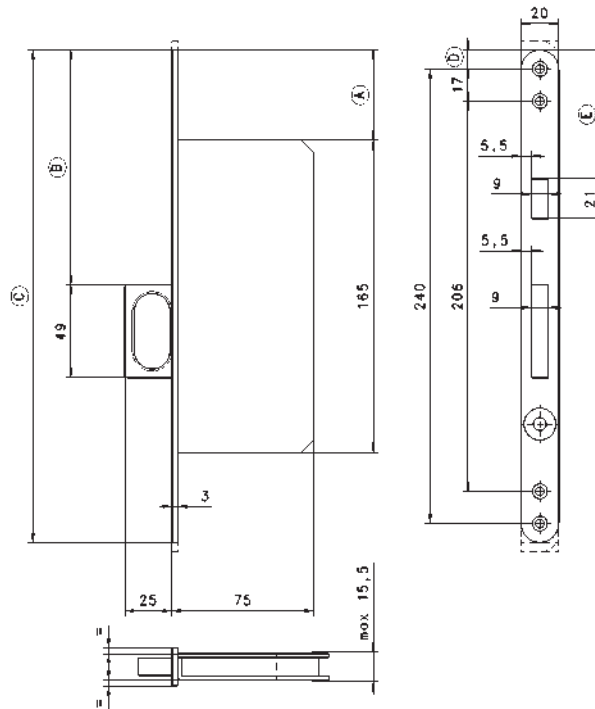
special versions on request

D168

Keep for D167

D168

Keep for no. D167. Face plate painted aluminium finish, polished nickel-coated pull handle and push button.



Version	A	B	C	D	E
***	47,5	124	260	10	68
**	52,5	129	270	15	73

** Normal version, *** Special version

face plate surface (OF=)	Stainless steel (satin)
	Stainless steel (polished)
	Brass (satin)
	Brass (polished)
	Painted other colours

Special versions

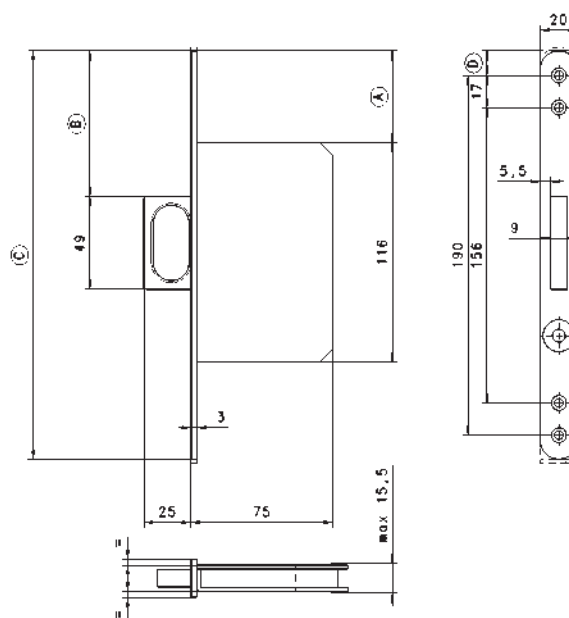
| special versions on request

D169

Sliding door pull handle

D169

Sliding door pull handle. Face plate painted aluminium finish, polished nickel-coated pull handle and push button.



No rose fixing holes possible!

Version	A	B	C	D
***	51	78	216	13
**	55	82	220	15

** Normal version

*** Special version

I face plate surface (OF=)	Stainless steel (satin)
	Stainless steel (polished)
	Brass (satin)
	Brass (polished)
	Painted other colours

D166

Sliding door lock with closeable hook-type catch

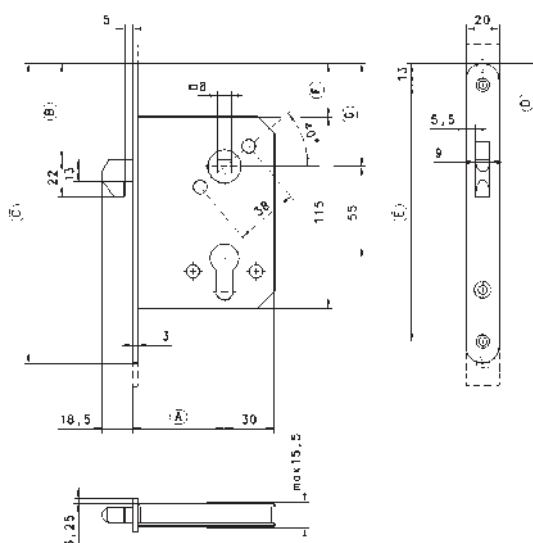
D166 PZW

Mortise sliding door lock with hook bolt, ... mm bolt. Face plate and strike plate (D016) painted aluminium finish, zinc-coated hook bolt, 8 mm follower, prepared for profile cylinder for raising and closing the hook bolt, with transmission.

D166 BAD

As previous, but with 8 mm olive follower, without transmission.

Backset • 45 50 55 60 65 70 • mm



Version	A	B	C	D	E	F	G
PZW**	45, 50, 55, 60, 65, 70	58	180	47	154	32	62
BAD**	45, 50, 55, 60, 65, 70	58	180	47	154	32	62
PZW***	45, 50, 55, 60, 65, 70	69	205	58,5	179	43	73
BAD***	45, 50, 55, 60, 65, 70	69	205	58,5	179	43	73

** Normal version, *** Special version

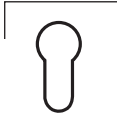
face plate surface (OF=)	Stainless steel (satin)	Nickel-plated polished latch
	Stainless steel (polished)	Nickel-plated polished latch
	Brass (satin)	Nickel-plated polished latch
	Brass (polished)	Nickel-plated polished latch

Special versions

- | prepared for Swiss cylinder (SZ)
- | follower 8.6 mm (bad follower with reduction sleeve to 7 mm)
- | further special versions available on request

D161

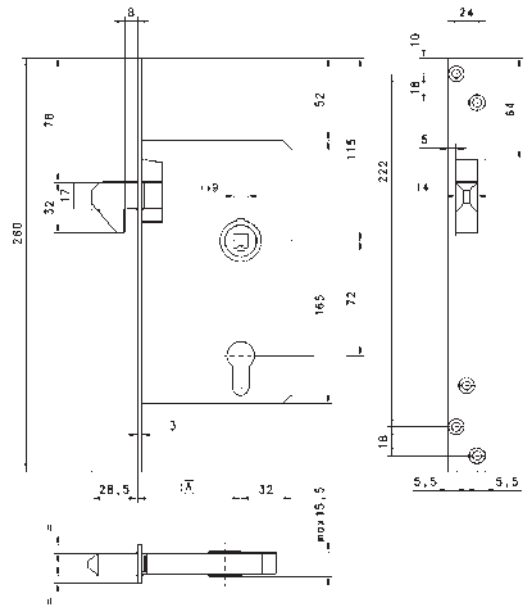
Sliding door lock with hook bolt (heavy duty)



D161 PZW

Mortise sliding door lock with hook-type catch, heavy duty version, zinc-coated lock case, face plate (rectangular only) and strike plate (D060), ... mm bolt, 72 mm distance. 9 mm fixed follower in steel rings for raising the catch, prepared for profile cylinder with transmission.

Backset • • 55 60 65 70 • • mm



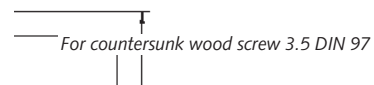
PZ screw length backset + 6mm!
No rose fixing holes possible!

Version	A
PZW	55, 60, 65, 70

Strike plate D060

D060

thick



face plate surface (OF=)	Stainless steel (satin)	Nickel-plated polished latch
--------------------------	-------------------------	------------------------------

Special versions

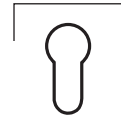
special versions on request

D 170

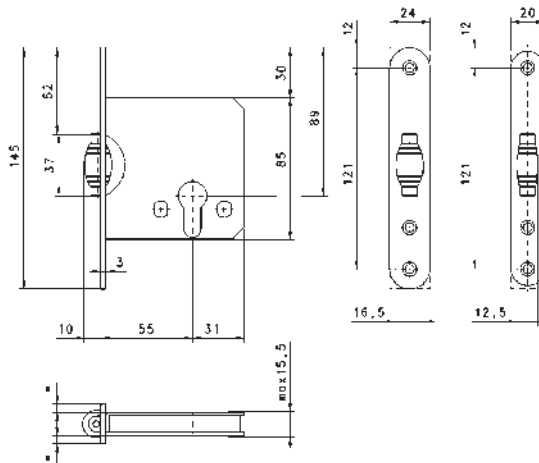
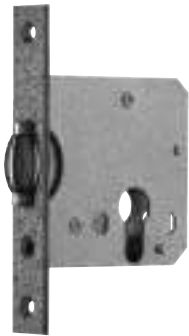
Swing door lock with roller latch

D170 PZ

Mortise swing door lock with brass roller latch, nickel plated, preclosing roller catch, roller catch not adjustable, 55 mm bolt. Face plate and strike plate (D011/offen) painted aluminium finish, prepared for profile cylinder.



Backset • • • • 55 • • • • mm



I face plate surface (OF=)	Stainless steel (satin)	Nickel-plated polished latch
	Stainless steel (polished)	Nickel-plated polished latch
	Brass (satin)	Nickel-plated polished latch
	Brass (polished)	Nickel-plated polished latch

Special versions

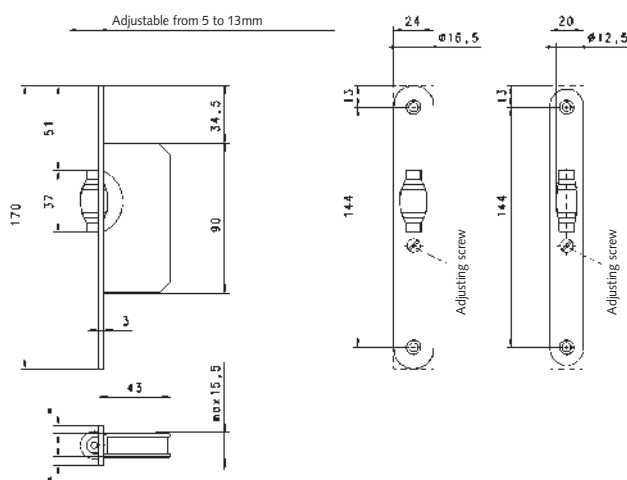
- I face plate width 20 mm, roller diameter 12.5 mm
- I further special versions available on request

D172

Swing door roller latch

D172

Mortise roller latch with brass roller, nickel-plated, adjustable roller latch. Face plate and strike plate (D011) painted aluminium finish.



face plate surface (OF=)	Stainless steel (satin)	Nickel-plated polished latch
	Stainless steel (polished)	Nickel-plated polished latch
	Brass (satin)	Nickel-plated polished latch
	Brass (polished)	Nickel-plated polished latch

Special versions

- | face plate width 20 mm, roller diameter 12.5 mm
- | further special versions available on request

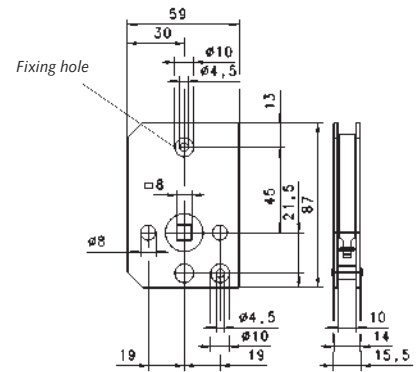
D066

Spring mechanism



D066

Spring mechanism; 8, 9 or 10 mm follower. For sample boards for functional demonstration of handles, zinc-coated.



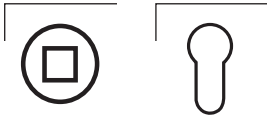
Locks for public and commercial buildings

	Article no.	Page
Mortise lock, DIN 18251-1, class 4 suitable for public buildings	D541 (7000 series class 4)	34
Mortise latch suitable for public buildings	D549	35
Mortise dead lock suitable for public buildings	D544	36
Lock for radiation protection doors	D542	37
ÖNORM lock suitable for public buildings	D441	38
Lock, DIN 18251-1, class 3 suitable for commercial buildings	D197 (7000 series)	39
Building latch, DIN 18251-1, class 3 suitable for commercial buildings	D197 FA (7000 series)	40
Building dead bolt lock, DIN 18251-1, class 3 suitable for commercial buildings	D197 RI (7000 series)	41

D541 (7000 series class 4)

Heavy duty lock complying with DIN 18251-1,

class 4,  tested



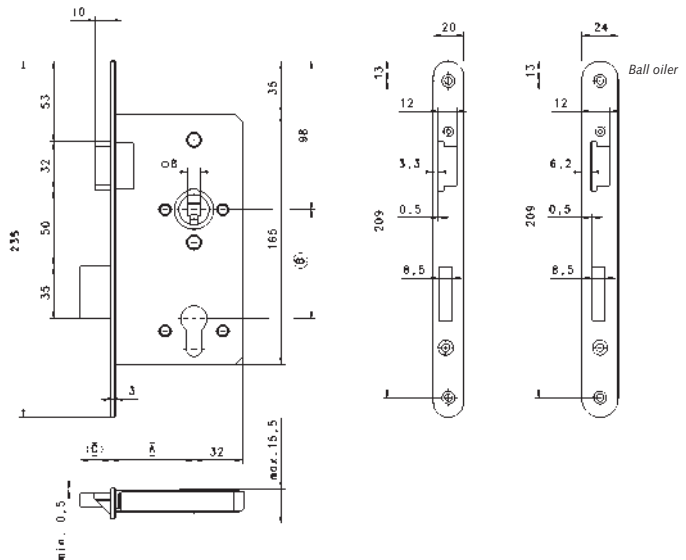
D541 PZW

Heavy duty mortise lock »Rheinkrone«, suitable for public buildings complying with DIN 18251-1, class 4, ... mm bolt, 72 mm distance, 8 or 9 mm fixed follower (9 mm = not DIN) mounted in self-lubricating sinter metal rings. Face plate satin stainless steel, malleable cast iron latch and polished nickel-coated steel bolt, latch stop with noise suppression, protective sleeves around fixing holes, ball oiler, prepared for profile cylinder with transmission.

D541 BAD

As previous, but 78 mm distance, 8 mm olive follower.

Backset	55	60	65	70	80	90	100	mm
Turn	2	2	2	2	2	2	2	



Version	A	B	C
PZW	55, 60, 65, 70, 80, 90, 100	72	20
BAD	55, 60, 65, 70, 80, 90, 100	76	10

I face plate surface (OF=)	Stainless steel (polished)
	Brass (satin)
	Brass (polished)
	Painted other colours
I strike plate determined in acc. with catalogue group 9	

Special versions

- I prepared for Swiss cylinder (SZ)
- I snib (mechanical override)
- I cranked latch lock
- I slanted face plate in accordance with table (Chapter 1)
- I SERMETEL-coated latch and bolt
- I further special versions available on request

D549

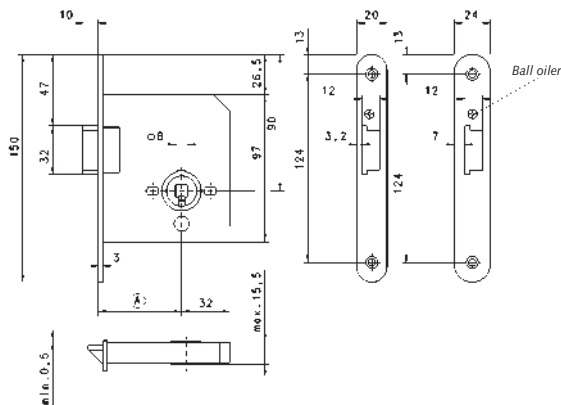
Heavy duty latch with small lock case

D549

Heavy duty mortise latch »Rheinkrone«, suitable for public buildings complying with DIN 18251-1, class 4, ... mm bolt, 8 or 9 mm fixed follower mounted in self-lubricating sinter metal rings. Face plate satin stainless steel, malleable cast iron polished nickel-coated latch, latch stop with noise suppression, ball oiler.



Backset 55 60 65 70 80 90 100 mm



Version	A
	55, 60, 65, 70, 80, 90, 100

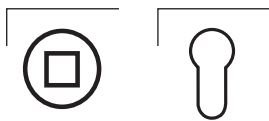
■ face plate surface (OF=)	Stainless steel (polished)
	Brass (satin)
	Brass (polished)
	Painted other colours
■ strike plate determined in acc. with catalogue group 9	

Special versions

■ snib (mechanical override)	
■ cranked latch lock	
■ slanted face plate in accordance with table (Chapter 1)	
■ SERMETEL-coated latch	
■ further special versions available on request	

D544

Heavy duty dead lock with small lock case



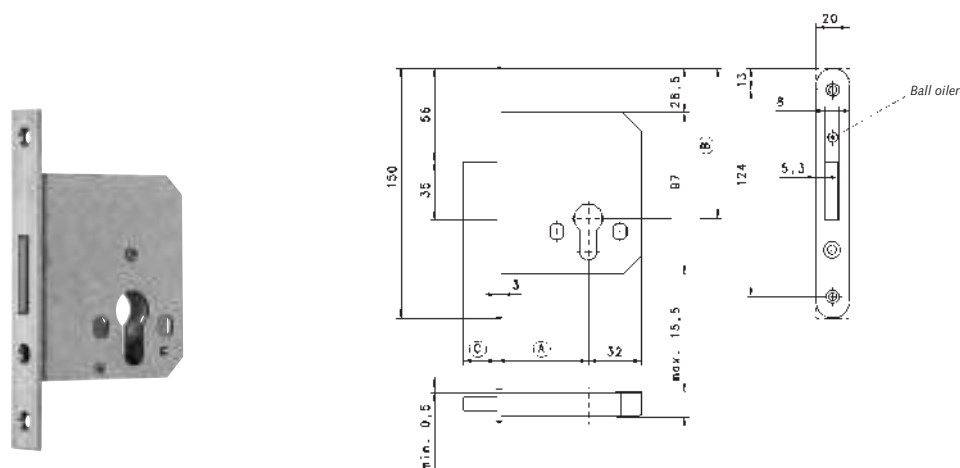
D544 PZ

Heavy duty mortise lock »Rheinkrone«, suitable for public buildings complying with DIN 18251-1, class 4, ... mm bolt. Face plate satin stainless steel, polished nickel-coated steel bolt, ball oiler, prepared for profile cylinder with transmission.

D544 BAD

As previous, but with 8 mm olive follower.

Backset	55	60	65	70	80	90	100	mm
Turn	2	2	2	2	2	2	2	



Version	A	B	C
PZ	55, 60, 65, 70, 80, 90, 100	90	20
BAD	55, 60, 65, 70, 80, 90, 100	96	10

face plate surface (OF=)	Stainless steel (polished)
	Brass (satin)
	Brass (polished)
	Painted other colours

strike plate determined in acc. with catalogue group 9

Special versions

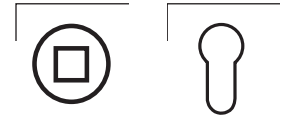
- prepared for Swiss cylinder (SZ)
- slanted face plate in accordance with table (Chapter 1)
- SERMETEL-coated bolt
- further special versions available on request

D542

Mortise lock for radiation protection complying with DIN 18251-1

D542 PZW

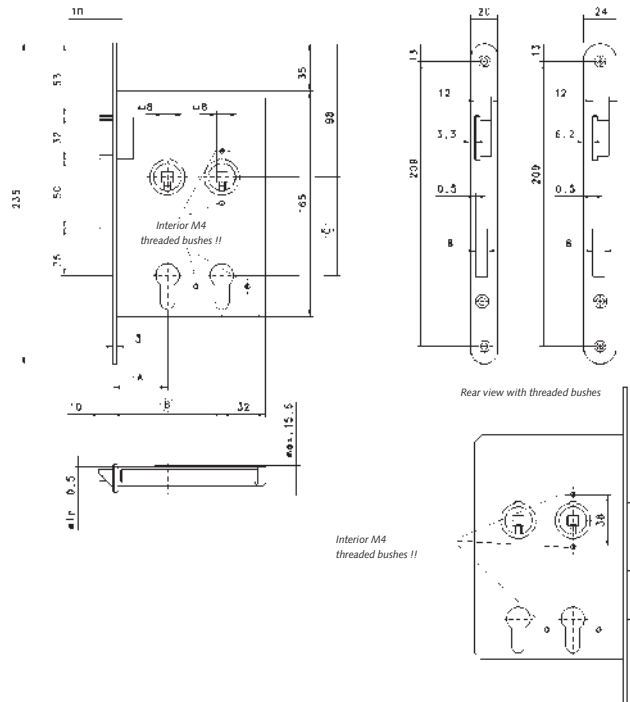
Heavy duty mortise lock »Rheinkrone« for radiation protection doors, suitable for public buildings with 2 adjacent followers and PZ holes, ... mm and ... mm bolt, 72 mm distance, 8 or 9 mm malleable iron fixed follower (9 mm = not DIN) mounted in self-lubricating sinter metal rings. Face plate satin stainless steel, polished nickel-coated latch and bolt, prepared for profile cylinder, with transmission for both PZ holes. DIN 18251-1 backset 60/100 mm only. No screw holes! Interior M4 threaded bushes also available as special version.



D542 BAD

As previous, but 78 mm distance, 8 mm olive follower.

Backset	40/80	45/85	50/90	55/95	60/100 mm
Turn	1	1	1	1	1



Version	A/B	C
PZW	40/80, 45/85, 50/90, 55/95, 60/100	72
BAD	40/80, 45/85, 50/90, 55/95, 60/100	78

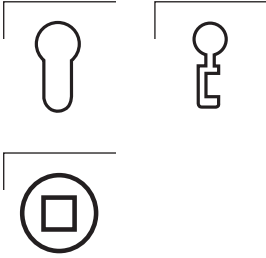
■ face plate surface (OF=)	Stainless steel (polished)
	Brass (satin)
	Brass (polished)
■ strike plate determined in acc. with catalogue group 9	

Special versions

- prepared for Swiss cylinder (SZ)
- slanted face plate in accordance with table (Chapter 1)
- SERMETEL-coated latch and bolt
- with M4 threaded bushes for fixing rosette
- further special versions available on request

D441

Heavy duty ÖNORM B5350 and B3858 lock



D441 PZW

Heavy duty mortise lock »Rheinkrone«, suitable for public buildings complying with ÖNORM B 5350 and ÖNORM B 3858 suitable for commercial buildings for fire-rated doors, can be used on left and right, as a result of adjustable latch, ... mm bolt, 88 mm distance, 8; 8,6 or 9 mm fixed follower mounted in self-lubricating sinter metal rings. face plate 18 x 250 x 4 mm rounded, face plate yellow chrome, polished nickel-coated latch and bolt, prepared for profile cylinder with transmission.

D441 BB

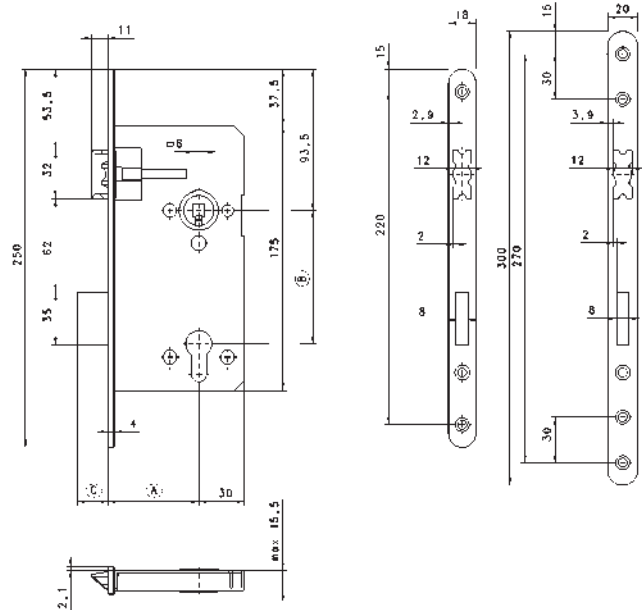
As previous, 90 mm distance, with nickel-coated key no. D640.

D441 BAD

As previous, 90 mm distance, stop follower 8 mm, 7 mm with sleeve.

Case dimensions	80	90	95*	100	mm
Backset	50	60	65*	70	mm
Turn	2	2	2*	2	

* not ÖNORM



Version	A	B	C
PZW	50, 60, 65, 70	88	20
BB	50, 60, 65, 70	90	20
BAD	50, 60, 65, 70	90	10

face plate surface (OF=)	Stainless steel (satin)
	Aquares

Special versions

- face plate dimension 20 x 300 x 4 mm rounded
- further special versions available on request

D197 (7000 series)

Mortise lock complying with DIN 18251-1, class 3

D197 PZW

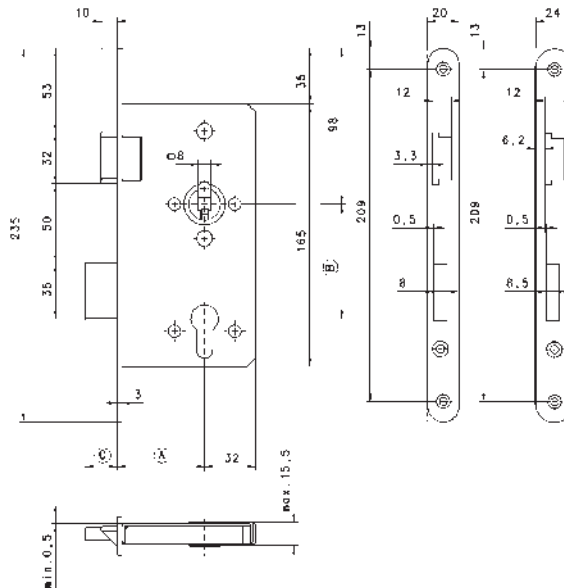
Mortise lock complying with DIN 18251-1, class 3, suitable for commercial buildings, ... mm bolt, 72 mm distance, 8 oder 9 mm (9 mm = not DIN), fixed follower mounted in self-lubricating sinter metal rings. Face plate satin stainless steel, nickel-coated latch and bolt, latch stop with noise suppression, prepared for profile cylinder with transmission.



D197 BAD

As previous, but 78 mm distance, 8 mm olive follower.

Backset	•	•	55	60	65	70	80	90	100	mm
Turn	•	•	2	2	2	2	2	2	2	



Version	A	B	C
PZW	55, 60, 65, 70, 80, 90, 100	72	20
BAD	55, 60, 65, 70, 80, 90, 100	78	10

face plate surface (OF=)	Stainless steel (polished)
	Brass (satin)
	Brass (polished)
	Painted other colours
strike plate determined in acc. with catalogue group 9	

Special versions

prepared for Swiss cylinder (SZ)
cranked latch lock
snib (mechanical override)
SERMETEL-coated latch and bolt
further special versions available on request

D197 RI (7000 series)

Mortise dead lock complying with DIN 18251-1, class 3

D197 PZ RI

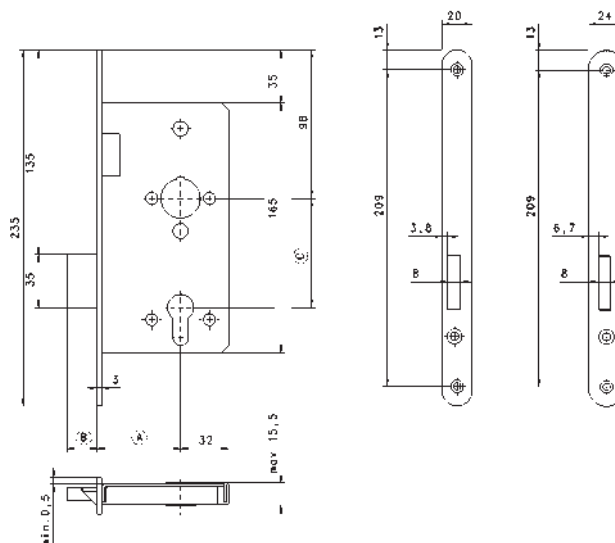
Dead lock complying with DIN 18251-1, class 3, suitable for commercial buildings, ... mm bolt. Face plate satin stainless steel, nickel-coated bolt, prepared for profile cylinder.



D197 BAD RI

As previous, but with 8 mm olive follower.

Backset	•	•	55	60	65	70	80	90	100	mm
Turn	•	•	2	2	2	2	2	2	2	



Version	A	B	C
PZ RI	55, 60, 65, 70, 80, 90, 100	72	20
BAD RI	55, 60, 65, 70, 80, 90, 100	78	10

I face plate surface (OF=)	Stainless steel (polished)
	Brass (satin)
	Brass (polished)
	Painted other colours

I strike plate determined in acc. with catalogue group 9


Special versions

- I prepared for Swiss cylinder (SZ)
- I SERMETEL-coated bolt
- I further special versions available on request

Locks offering increased security

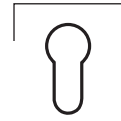
	Article no.	Page
Mortise lock, DIN 18251-1, class 2, requirements according to class 3	D141 SD	43
Apartment entrance door lock, tamper proof	D148	44
Lock with double face plate, DIN 18251-1, class 3	D976	45

D141 SD

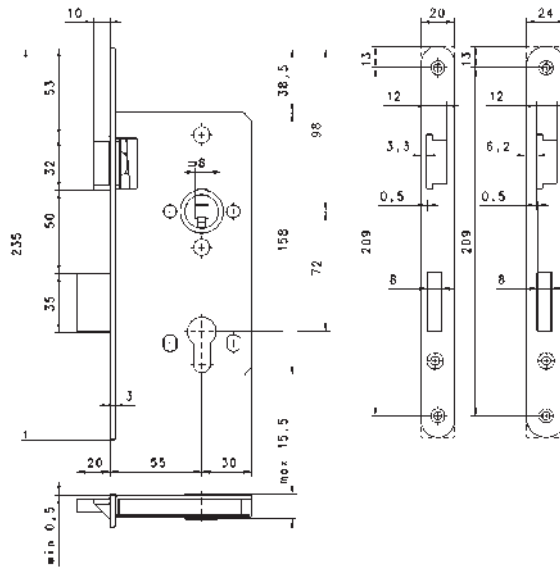
Mortise lock complying with DIN 18251-1, class 2, requirements according to class 3,  tested.

D141 PZW SD

Mortise lock for internal doors with increased security demands complying with DIN 18251-1, class 2, 55 mm bolt, 72 mm distance, 8 mm malleable cast iron fixed follower. Face plate painted aluminium finish, zinc-coated lock case, malleable cast iron latch, steel bolt, nickel-plated latch and bolt, prepared for profile cylinder with transmission.



Backset	•	•	•	•	55	•	•	•	•	mm
Turn	•	•	•	•	2	•	•	•	•	



4

■ face plate surface (OF=)	Stainless steel (satin)	Nickel-plated latch and bolt
■ strike plate determined in acc. with catalogue group 9		

D976

Mortise lock with double face plate complying with DIN 18251-1

D976 PZW

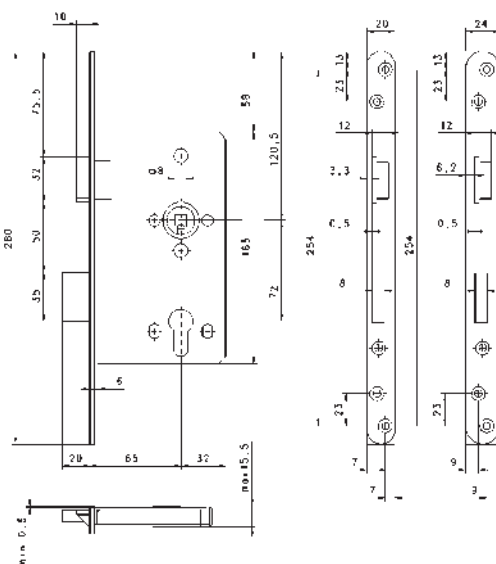
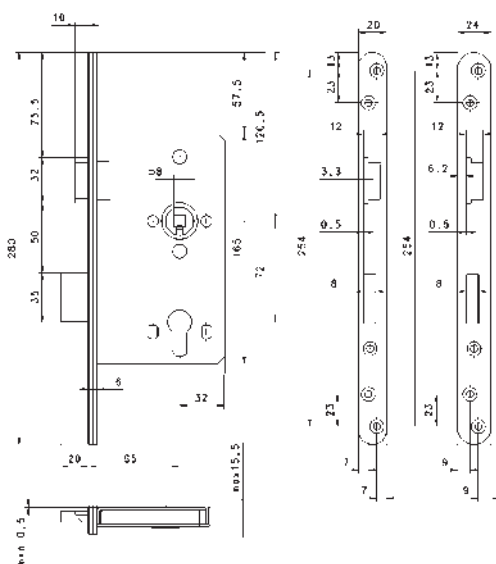
Mortise lock with double face plate for doors with resistance class complying with DIN 18250-1, WK2 and DIN EN1627, 65 mm bolt, 72 mm distance, 8 or 9 mm fixed follower mounted in self-lubricating sinter metal rings. Face plate 6 mm thick, painted aluminium finish, polished nickel-coated latch and bolt, latch stop with noise suppression, with steel bolt complying with DIN 18251, class 4, prepared for profile cylinder with transmission.



Backset • • • • 65 • • • • mm
 Turn • • • • 2 • • • •

D976

D973



4

■ face plate surface (OF=)	Stainless steel (satin)
	Stainless steel (polished)

Special versions

- the lock with a 280 mm long face plate and a thickness of 3 mm can be ordered with the article number D973.
- face plate (280 mm long), each with 2 offset screw holes
- protective sleeves in the screw fixing holes
- further special versions available on request

Locks for metal doors

	Article no.	Page
Fire-rated lock complying with DIN 18250	D280	47
Latch for fire-rated doors	D128	48
Lock for lock case	D524 – D534, D534 H	49
Lock for lock case, heavy duty	D543, D553, D543 H, D553 H	50
Surface-mounted dead lock	D268	51

D 280

Fire-rated lock complying with DIN 18250

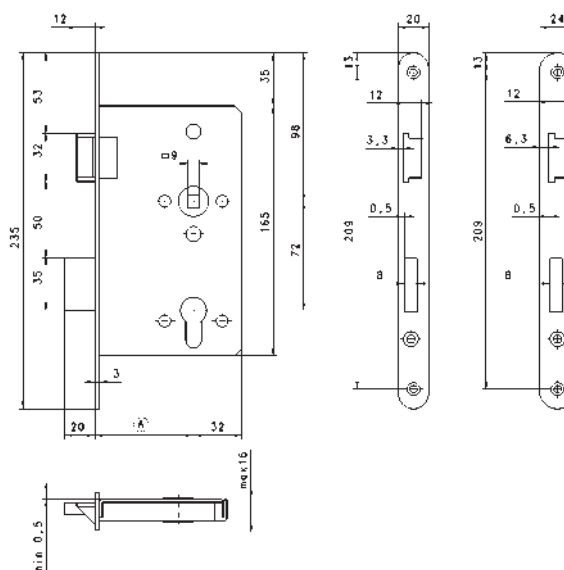
D280 PZW

Mortise lock for fire-rated doors complying with DIN 18250, ... mm bolt, 72 mm distance, 9 mm malleable cast iron follower, steel bolt. Completely zinc-coated version, prepared for profile cylinder with transmission.



MPA NRW, Dortmund test certificate and monitoring agreement.

Backset	•	55	•	65	•	•	80	•	•	•	100	mm
Turn	•	2	•	2	•	•	2	•	•	•	2	



Version	A
PZW	55, 65, 80, 100

face plate surface (OF=)	Stainless steel (satin)	Polished nickel-coated latch and bolt
	Stainless steel (polished)	Polished nickel-coated latch and bolt
strike plate determined in acc. with catalogue group 9		

Special versions

- | prepared for Swiss cylinder (SZ = not DIN)
- | with special face plate (MPA NRW, Dortmund monitoring agreement)
- | Nr. D286 = face plate 280 mm, 6 mm thick
- | Nr. D287 = face plate 280 mm, 3 mm thick each with 2 offset screw holes
- | further special versions available on request

D128

Latch for fire-rated doors

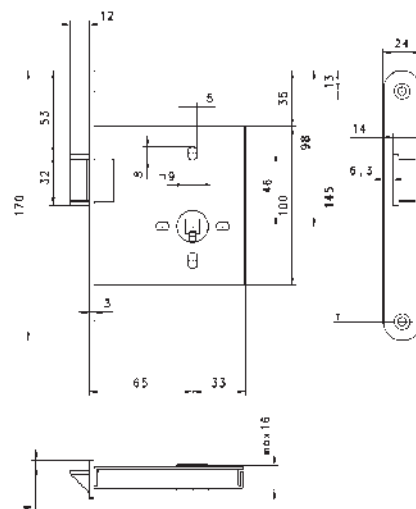


D128

Mortise latch for steel doors, 65 mm bolt, 9 mm fixed malleable cast iron follower. Complete version zinc coated.

MPA NRW, Dortmund test certificate and monitoring agreement.

Backset • • • • 65 • • • • mm



I face plate surface (OF=)	Stainless steel (satin)	Nickel-plated polished latch
	Stainless steel (polished)	Nickel-plated polished latch
I strike plate determined in acc. with catalogue group 9		

Special versions

I special versions on request

D543

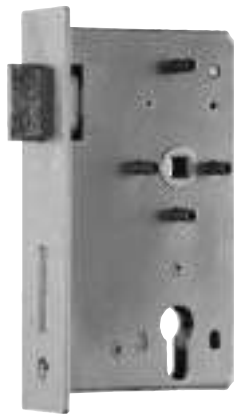
Lock for lock case, (heavy duty)



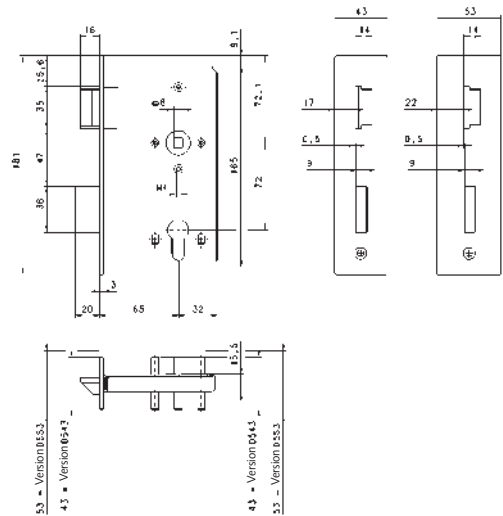
D543 PZW

Mortise lock for lock case, 65 mm bolt, 72 mm distance, 8 mm malleable cast iron follower, malleable cast iron latch, with M4 fixing screws, horizontal and/or vertical configuration. Completely zinc-coated version, prepared for profile cylinder with transmission, face plate width 43, 53 mm.

Backset	•	•	•	•	65	•	•	•	•	mm
Turn	•	•	•	•	2	•	•	•	•	

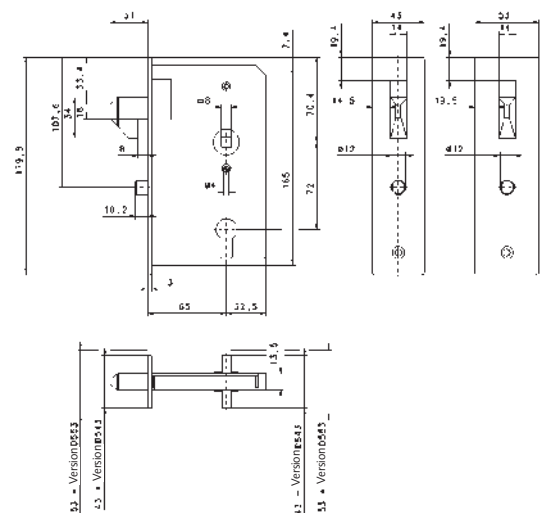


D543 PZW



D543 H PZW

With 3-part fixed follower in 8 and 9 mm.



face plate surface (OF=) Stainless steel

Special version

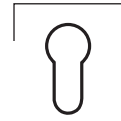
as sliding door lock with hook bolt under article number D543 PZW H

D 268

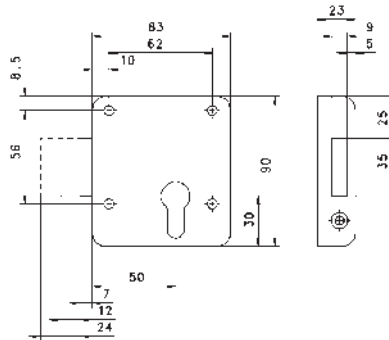
Surface-mounted dead lock

D268 PZ

Surface-mounted dead lock with drawn lock case, 50 mm bolt, with steel bolt (1 turn), 15 mm bolt throw. Completely zinc-coated version, prepared for profile cylinder.



Backset • • • • 50 • • • • mm
Turn • • • • 1 • • • •



Locks for metal frame doors

	Article no.	Page
Metal frame lock, 72 mm distance	D301	53
Metal frame dead lock	D305	54
Metal frame latch	D307	55
Metal frame roller latch	D303	56
Metal frame roller latch	D308	57

D305

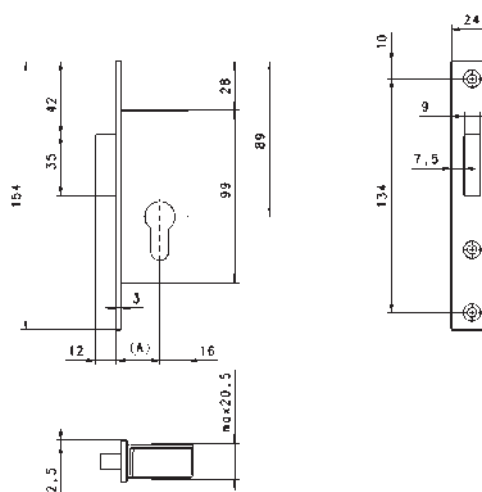
Dead lock for metal frame doors



D305 PZ

Metal frame mortise dead bolt lock, ... mm bolt, diecast bolt. Completely zinc-coated, prepared for profile cylinder.

Backset	18	20	22	25	30	35	40	45	mm
Turn	1	1	1	1	1	1	1	1	



No rosette holes possible!

Version	A
PZ	18, 20, 22, 25, 30, 35, 40, 45

I face plate surface (OF=)	Stainless steel (satin)	Nickel-plated bolt
	Stainless steel (polished)	Nickel-plated bolt
I strike plate determined in acc. with catalogue group 9		

Special versions

- I bolt protrudes 5 mm
- I further special versions available on request

D307

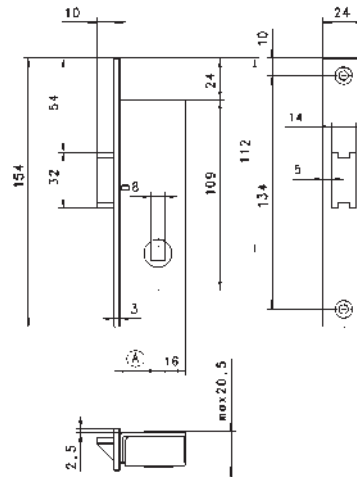
Latch for metal frame door

D307

Metal frame mortise latch, ... mm bolt, 8 mm follower, on right and left, due to reversible latch, malleable cast iron latch and follower. Completely zinc-coated.



Backset	18	20	22	25	30	35	40	45	mm
Turn	1	1	1	1	1	1	1	1	



No rosette holes possible!

Version	A
FA	18, 20, 22, 25, 30, 35, 40, 45

face plate surface (OF=)	Stainless steel (satin)	Nickel-plated latch
	Stainless steel (polished)	Nickel-plated latch
strike plate determined in acc. with catalogue group 9		

Special versions

latch protrudes 5 mm
snib (mechanical override) from 25 mm bolt (DIN right/left required)
9 mm follower
further special versions available on request

D303

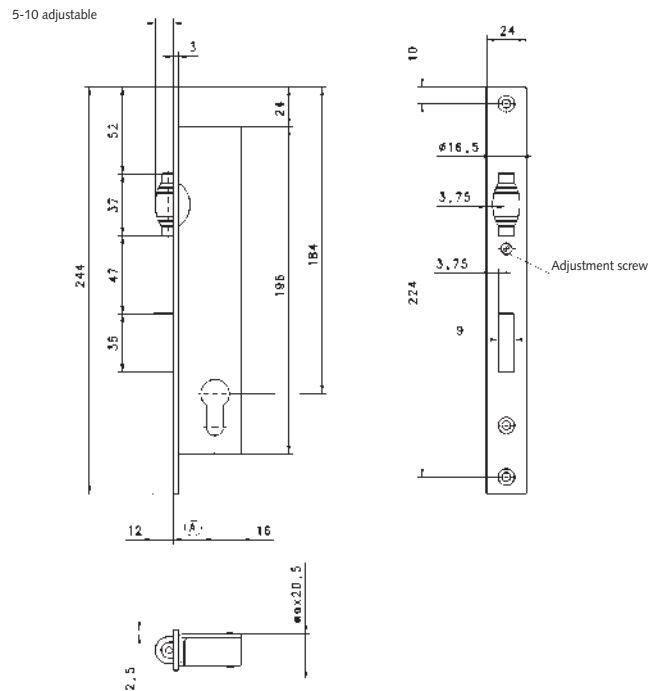
Roller latch for metal frame door



D303 PZ

Metal frame mortise roller latch, ... mm bolt, with adjustable roller latch, diecast bolt.
Completely zinc-coated, prepared for profile cylinder.

Backset	18	20	22	25	30	35	40	45	mm
Turn	1	1	1	1	1	1	1	1	



No rosette holes possible!

Version	A
PZ	18, 20, 22, 25, 30, 35, 40, 45

I face plate surface (OF=)	Stainless steel (satin)	Nickel-plated latch and bolt
	Stainless steel (polished)	Nickel-plated latch and bolt
I strike plate determined in acc. with catalogue group 9		

Special versions

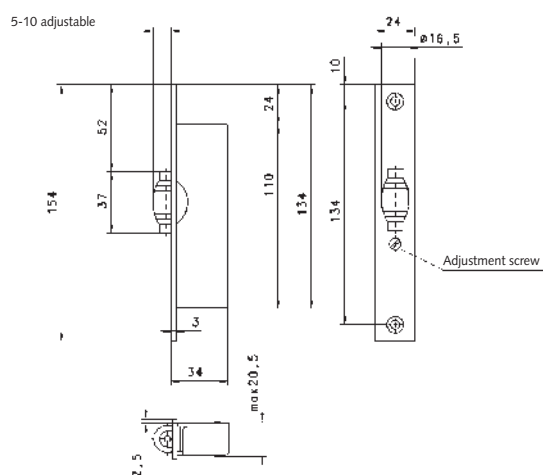
- I bolt protrudes 5 mm
- I prepared for Swiss cylinder (SZ)
- I further special versions available on request

D308

Roller latch for metal frame door

D308

Metal frame roller latch, with adjustable roller latch. Completely zinc-coated.



I face plate surface (OF=)	Stainless steel (satin)	Nickel-plated roller latch
	Stainless steel (polished)	Nickel-plated roller latch
I strike plate determined in acc. with catalogue group 9		

Special versions

I special versions on request

Anti-panic locks

	Article no.	Page
Fire-rated lock with anti-panic function, solid follower complying with DIN 18250, class 3	D281	59
Fire-rated lock for transformer doors complying with DIN 18250, class 3	D285 FA	60

D 281

Fire-rated lock with anti-panic function, solid follower, complying with DIN 18250

D281 PZW

Mortise lock with anti-panic function complying with DIN 18250, ... mm bolt, 72 mm distance, 9 mm follower. Completely zinc-coated version, prepared for profile cylinder with transmission.

Function I: Transformer transmission function E

Outside opening and closing with key. Inside opening with handle, even when bolt is engaged, closing with key.

Door furniture:

Fixed knob outside. Half handle inside with 9 mm spindle.

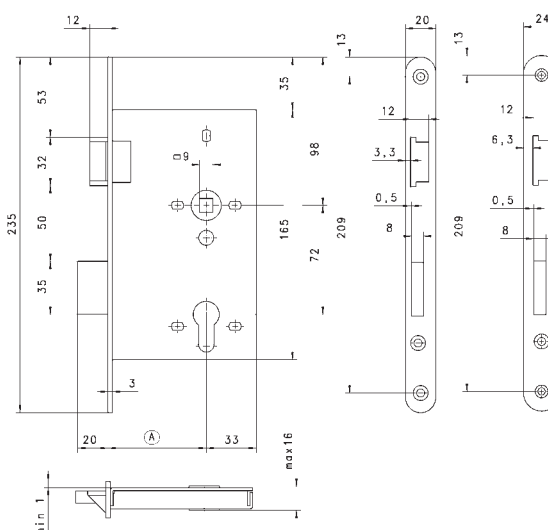
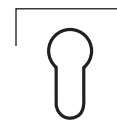
MPA NRW, Dortmund test certificate and monitoring agreement.

Backset	•	•	•	55*	65	80	100	•	•	•	mm
Turn	•	•	•	2	2	2	2	•	•	•	

without monitoring symbol:

Backset	•	•	60*	70	90	•	•	•	mm
Turn	•	•	2	2	2	•	•	•	

*Locks with backsets 55 and 60 should be ordered under article number DS02.



Version	A	Comment
PZW	55, 65, 80, 100	with monitoring symbol
PZW	60, 70, 90	without monitoring symbol

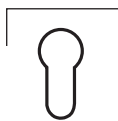
face plate surface (OF=)	Stainless steel (satin)	Polished nickel-coated latch and bolt
	Stainless steel (polished)	Polished nickel-coated latch and bolt
strike plate determined in acc. with catalogue group 9		

Special versions

| special versions on request

D285 FA

Fire-rated lock for transformer doors complying with DIN 18250



D285 PZW FA

Fire-rated lock complying with DIN 18250, ... mm bolt, 72 mm distance, 9 mm fixed follower, only with latch, without bolt, prepared for profile cylinder with transmission, with match symbol.

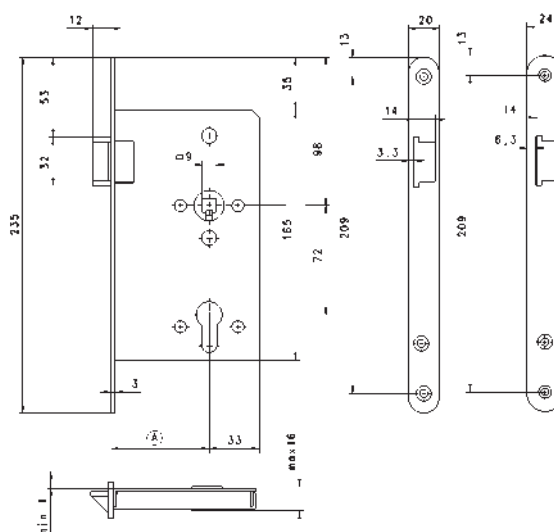
Function I: Transformer transmission function E

Outside opening and closing with key. Inside opening with handle.

Hardware:

Transmission fitting.

Backset • • 55 • 65 • 80 • 100 mm



Version	A
PZW FA	55, 65, 80, 100

■ face plate surface (OF=)	Stainless steel (satin)	Nickel-plated polished latch
■ strike plate determined in acc. with catalogue group 9		

Special versions

■ special versions on request

Non-handed locks

	Article no.	Page
Non-handed lock, medium weight	340 series	62
Non-handed lock, medium weight	D520 R/L	63
Non-handed lock, medium weight, as latch lock	D520 FA R/L	64
Non-handed lock, medium weight, as dead bolt lock	D520 RI R/L	65
Non-handed lock, heavy duty	D147 R/L	66
Non-handed latch, heavy duty	D147 FA R/L	67
Non-handed dead bolt lock, heavy duty	D147 RI R/L	68
Non-handed lock, suitable for public buildings	D541 R/L	69
Non-handed lock, heavy duty	6600 series	70
Non-handed lock, extra heavy-duty	6100 series	71
Non-handed latch, suitable for public buildings	D541 FA R/L	72
Non-handed dead bolt lock, suitable for public buildings	D541 RI R/L	73
Non-handed latch, suitable for public buildings, with small case	D549 R/L	74

340 Serie

Non-handed lock, medium weight

Mortice lock DIN 18251 – part 1.

349

Sash lock/entrance lock.

348

Dead lock.

347

Roller bolt lock with dead bolt.

346

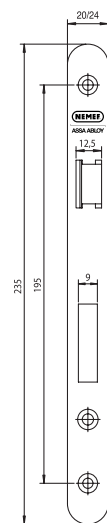
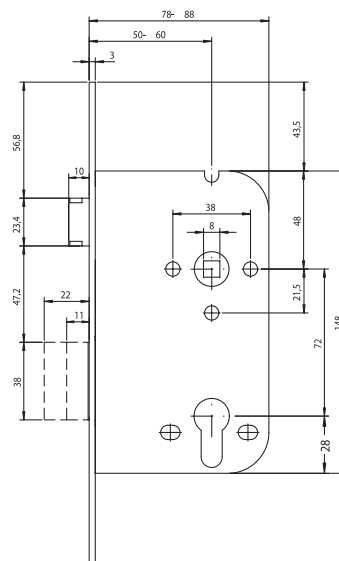
Latch PZW FA.

345

Latch.

344

Bathroom/wc lock.



Specifications

Steel, grey lacquered case

Lock dimensions according to DIN 18251 – part 1

Centres 72 mm (bathroom/wc lock 78 mm)

Backset 50/60 mm

Front plate: 24x235 mm stainless steel rounded or square

20x235 mm stainless steel rounded

24x235 mm brushed brass rounded or square

Die-cast zinc-plated follower 8 mm

Easily reversible latch bolt

Packed per piece, including strike plate and screws

Key action on latch bolt

Die-cast nickel-plated latch and dead bolt

D520 R/L

Non-handed lock, medium weight

D520 PZW R/L

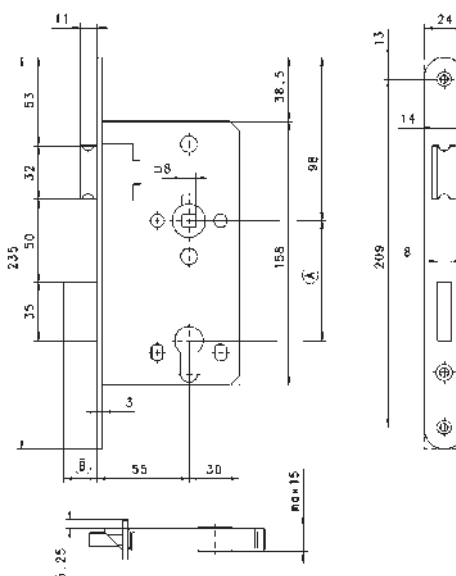
Mortise lock for right/left hand use, with fitting dimensions complying with DIN 18251-1, class 2, 55 mm bolt, 72 mm distance, 8 mm malleable cast iron follower. Face plate painted aluminium finish, zinc-coated diecast latch and bolt, reversible latch, lock case enclosed and zinc-coated, prepared for profile cylinder with transmission.



D520 BAD R/L

As previous, but 78 mm distance, 8 mm olive follower.

Backset • • • • 55 • • • • mm
 Turn • • • • 2 • • • •



Version	A	B
PZW	72	20
BAD	78	10

I face plate surface (OF=)	Stainless steel (satin)	Nickel-plated latch and bolt
	Stainless steel (polished)	Nickel-plated latch and bolt
	Brass (satin)	Nickel-plated latch and bolt
	Brass (polished)	Nickel-plated latch and bolt
	Painted other colours	

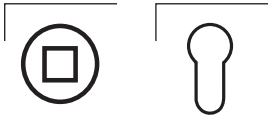
I strike plate determined in acc. with catalogue group 9

Special versions

- I completely zinc-coated
- I prepared for Swiss cylinder (SZ)
- I further special versions available on request

D520 FA R/L

Non-handed lock, medium weight, as latch



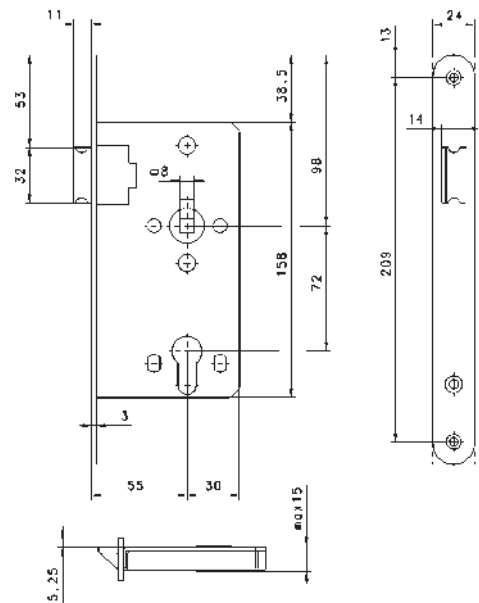
D520 FA R/L

Mortise latch for right/left hand use medium weight, with fitting dimensions complying with DIN 18251-1, class 2, 55 mm bolt, 8 mm malleable cast iron follower. Face plate painted aluminium finish, zinc-coated diecast latch, reversible latch, lock case enclosed and zinc-coated.

D520 PZW FA R/L

As previous, but prepared for profile cylinder with transmission, 72 mm distance.

Backset • • 55 • • • • • mm



I face plate surface (OF=)	Stainless steel (satin)	Nickel-plated latch
	Stainless steel (polished)	Nickel-plated latch
	Brass (satin)	Nickel-plated latch
	Brass (polished)	Nickel-plated latch
	Painted other colours	

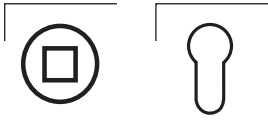
I strike plate determined in acc. with catalogue group 9

Special versions

- I completely zinc-coated
- I prepared for Swiss cylinder (SZ)
- I further special versions available on request

D147 R/L

Non-handed lock, heavy duty



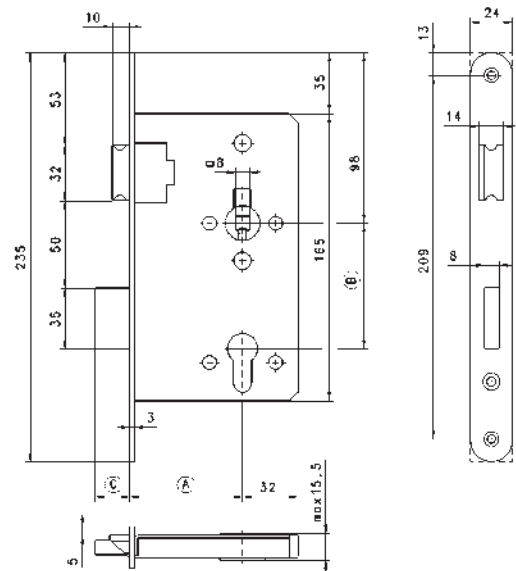
D147 PZW R/L

Mortise lock, for right/left hand use, with fitting dimensions complying with DIN 18251-1, class 3, ... mm bolt, 72 mm distance, 8 mm fixed malleable cast iron follower. face plate painted aluminium finish, zinc-coated latch and bolt, reversible latch, lock case enclosed and zinc-coated, prepared for profile cylinder with transmission.

D147 BAD R/L

As previous, but 78 mm distance, 8 mm olive follower.

Backset	•	•	55	60	65	70	80	90	100	mm
Turn	•	•	2	2	2	2	2	2	2	



Version	A	B	C
PZW	55, 60, 65, 70, 80, 90, 100	72	20
BAD	55, 60, 65, 70, 80, 90, 100	78	10

I face plate surface (OF=)	Stainless steel (satin)	Nickel-plated latch and bolt
	Stainless steel (polished)	Nickel-plated latch and bolt
	Brass (satin)	Nickel-plated latch and bolt
	Brass (polished)	Nickel-plated latch and bolt
	Painted other colours	

I strike plate determined in acc. with catalogue group 9

Special versions

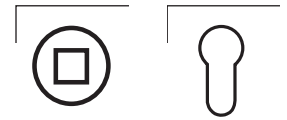
- I completely zinc-coated
- I prepared for Swiss cylinder (SZ)
- I bolt throw 14 mm, 1-turn for PZ or BAD
- I snib (mechanical override)
- I further special versions available on request

D147 FA R/L

Non-handed latch, heavy duty

D147 FA R/L

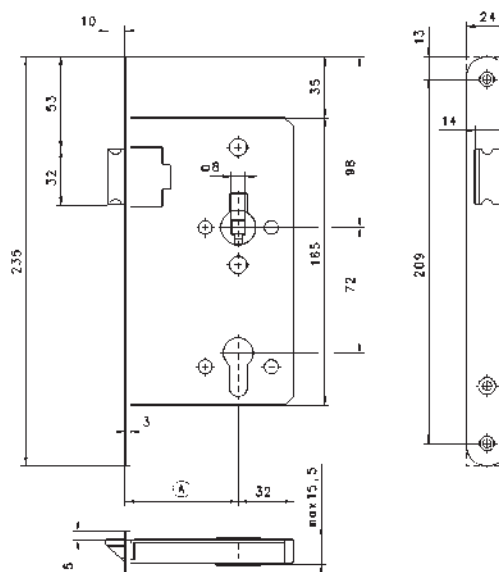
Mortise latch, for right/left hand use, with fitting dimensions complying with DIN 18251-1, class 3, ... mm bolt, 8 mm fixed follower, face plate painted aluminium finish, zinc-coated latch, reversible latch, lock case enclosed and zinc-coated.



D147 PZW FA R/L

As previous, but prepared for profile cylinder with transmission, 72 mm distance.

Backset • • 55 60 65 70 80 90 100 mm



Version	A
FA	55, 60, 65, 70, 80, 90, 100
PZW FA	55, 60, 65, 70, 80, 90, 100

face plate surface (OF=)	Stainless steel (satin)	Nickel-plated polished latch
	Stainless steel (polished)	Nickel-plated polished latch
	Brass (satin)	Nickel-plated polished latch
	Brass (polished)	Nickel-plated polished latch
	Painted other colours	

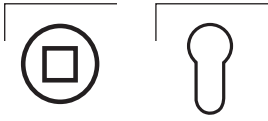
| strike plate determined in acc. with catalogue group 9

Special versions

- | completely zinc-coated
- | prepared for Swiss cylinder (SZ)
- | snib (mechanical override)
- | further special versions available on request

D147 RI R/L

Non-handed dead lock, heavy



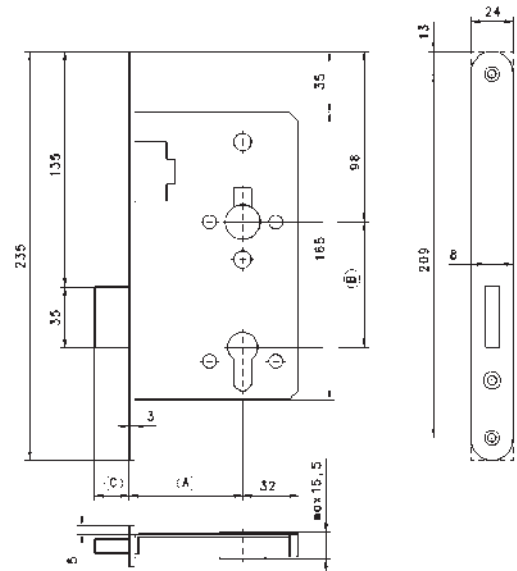
D147 PZ RI R/L

Mortise dead lock, with fitting dimensions complying with DIN 18251-1, class 3, ... mm bolt. Face plate painted aluminium finish, zinc-coated bolt, lock case enclosed and zinc-coated, prepared for profile cylinder with transmission.

D147 BAD RI R/L

As previous, but with 8 mm olive follower.

Backset	•	•	55	60	65	70	80	90	100	mm
Turn	•	•	2	2	2	2	2	2	2	



Version	A	B	C
PZ RI	55, 60, 65, 70, 80, 90, 100	72	20
BAD RI	55, 60, 65, 70, 80, 90, 100	78	10

I face plate surface (OF=)	Stainless steel (satin)	Nickel-plated bolt
	Stainless steel (polished)	Nickel-plated bolt
	Brass (satin)	Nickel-plated bolt
	Brass (polished)	Nickel-plated bolt
	Painted other colours	

I strike plate determined in acc. with catalogue group 9

Special versions

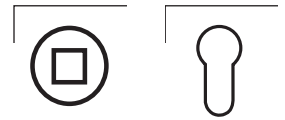
- I completely zinc-coated
- I prepared for Swiss cylinder (SZ)
- I bolt throw 14 mm, 1-turn for PZ or BAD
- I further special versions available on request

D541 R/L

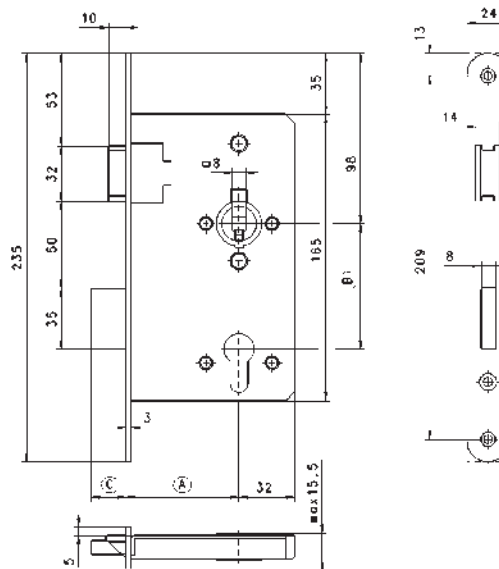
Non-handed lock, suitable for public buildings

D541 PZW R/L

Heavy duty mortise lock, with fitting dimensions complying with DIN 18251-1, for left/right hand use, due to reversible latch, suitable for public buildings, lock case enclosed and zinc-coated, ... mm bolt, 72 mm distance, 8 or 9 mm fixed follower mounted in self-lubricating sinter metal rings. Satin stainless steel face plate, malleable cast iron latch, steel bolt, polished nickel-coated latch and bolt, with triple safety locking device, with protective sleeve in the screw holes, prepared for profile cylinder with transmission.



Backset	•	•	55	60	65	70	80	90	100	mm
Turn	•	•	2	2	2	2	2	2	2	



Version	A	B	C
PZW	55, 60, 65, 70, 80, 90, 100	72	20
BAD	55, 60, 65, 70, 80, 90, 100	78	10

face plate surface (OF=)	Stainless steel (satin)
	Stainless steel (polished)
	Brass (satin)
	Brass (polished)
	Painted other colours
strike plate determined in acc. with catalogue group 9	

Special versions

- | completely zinc-coated
- | prepared for Swiss cylinder (SZ)
- | bolt throw 14 mm, 1-turn for PZ oder BAD
- | snib (mechanical override)
- | nickel-coated ball oiler
- | further special versions available on request

6600 Serie

Non-handed lock, heavy duty

Dimensions according to DIN 18251 – part 1 (Class 3) heavy-duty project lock non-handed.

6602

Sash lock/entrance lock.

6622

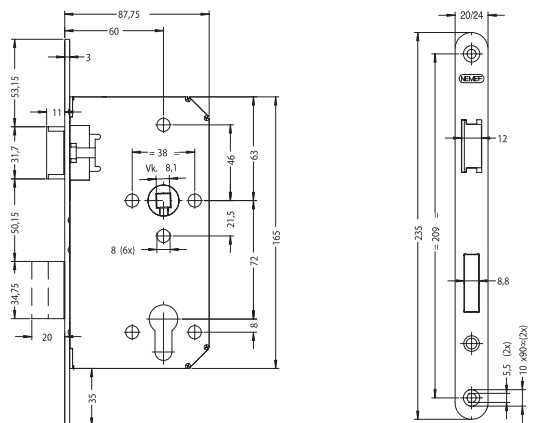
Dead lock.

6632

Latch.

6642

Bathroom/wc lock.



Specifications

- I Zinc-plated lock case
- I Backset 60 mm
- I Centres 72 mm (bathroom/wc lock 87 mm)
- I Die-cast nickel plated bolts
- I Steel clamping follower 8 mm
- I Front plate 20/24 x 235 mm rounded or square, lacquered or stainless steel
- I Key action on latch bolt
- I Easily reversible latch bolt
- I Packed per piece, including strike plate and screws

6100 Serie

Non-handed lock, extra heavy-duty

Dimensions according to DIN 18251 – part 1 (Class 3) extra heavy-duty project lock non-handed.

6109

Sash lock/entrance lock.

6108

Dead bolt lock.

6105

Latch.

6106

Night latch with hold back function.

6107

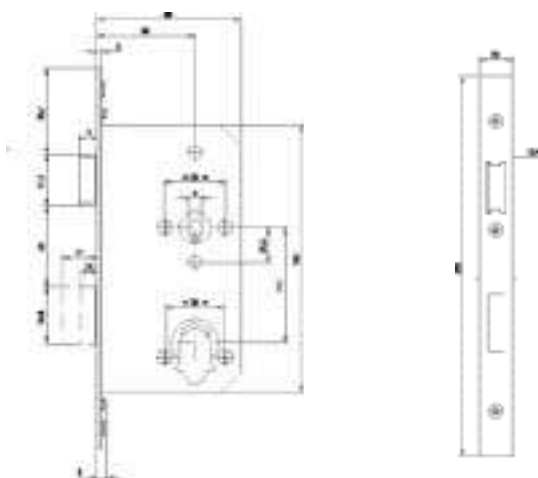
Night latch.

6104

Bathroom/wc lock.

6102

Panic lock (in development).

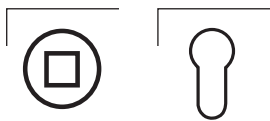


Specifications

- ! Zinc-plated white lacquered lock case
- ! Backset 60 mm
- ! Centres 72 mm (bathroom/wc lock 78 mm)
- ! Sintersteel latch and dead bolt
- ! Forend 20 x 235 mm, square stainless steel
- ! 2-pieced steel clamping follower 8 mm
- ! Extra heavy-duty counter spring
- ! Suitable for oval as well as euro profile cylinder
- ! Key action on latch bolt
- ! Certified for 4 hours fire-resistant according to BS 476 part 22, 1997, clause 8
- ! Easily reversible latch bolt
- ! Packed per piece, including strike plate, screws and mounting instructions

D541 FA R/L

Non-handed latch, suitable for use in public buildings



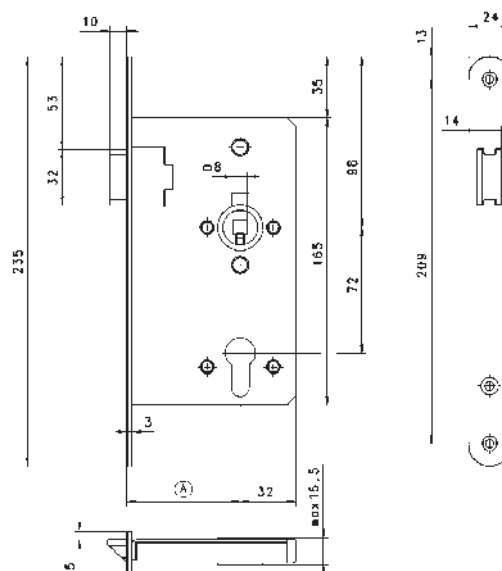
D541 FA R/L

Heavy duty mortise latch, with fitting dimensions complying with DIN 18251-1, for left/right hand use due to reversible latch, suitable for public buildings, lock case enclosed and zinc-coated, ... mm bolt, 8 or 9 mm fixed follower mounted in self-lubricating sinter metal rings. Satin stainless steel face plate, malleable cast iron latch, polished and nickel-coated, with protective sleeve in the screw holes.

D541 PZW FA R/L

As previous, but prepared for profile cylinder with transmission, 72 mm distance.

Backset • • 55 60 65 70 80 90 100 mm



Version	A
FA	55, 60, 65, 70, 80, 90, 100
PZW FA	55, 60, 65, 70, 80, 90, 100

face plate surface (OF=)	Stainless steel (satin)
	Stainless steel (polished)
	Brass (satin)
	Brass (polished)
	Painted other colours
strike plate determined in acc. with catalogue group 9	

Special versions

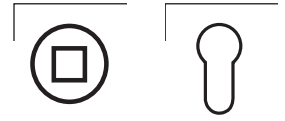
completely zinc-coated
prepared for Swiss cylinder (SZ)
snib (mechanical override)
nickel-coated ball oiler
further special versions available on request

D541 RI R/L

Non-handed dead bolt lock, suitable for public buildings

D541 PZ RI R/L

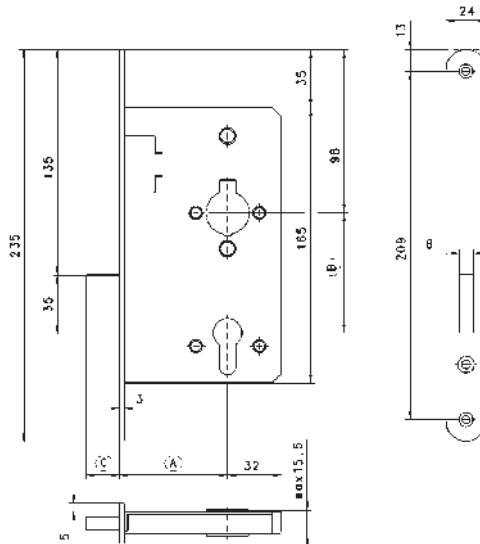
Heavy duty mortise dead lock, with fitting dimensions complying with DIN 18251-1 suitable for use in public buildings, lock case enclosed and zinc-coated, ... mm bolt. Satin stainless steel face plate, steel bolt, triple safety locking device, with protective sleeve in the screw holes, prepared for profile cylinder.



D541 BAD RI R/L

As previous, but 8 mm olive follower.

Backset	•	•	55	60	65	70	80	90	100	mm
Turn	•	•	2	2	2	2	2	2	2	



Version	A	B	C
PZ RI	55, 60, 65, 70, 80, 90, 100	72	20
BAD RI	55, 60, 65, 70, 80, 90, 100	78	10

face plate surface (OF=)	Stainless steel (satin)
	Stainless steel (polished)
	Brass (satin)
	Brass (polished)
	Painted other colours

| strike plate determined in acc. with catalogue group 9

Special versions

- | completely zinc-coated
- | prepared for Swiss cylinder (SZ)
- | bolt throw 14 mm, 1-turn for PZ or BAD
- | further special versions available on request

D549 R/L

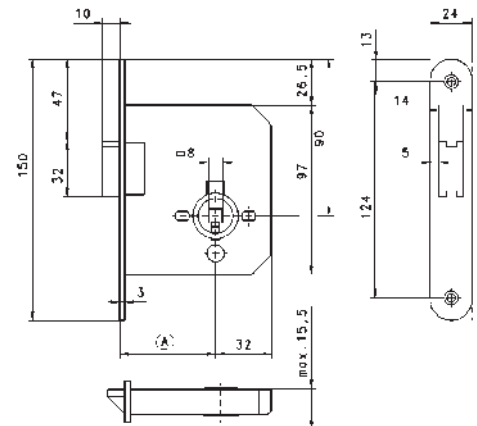
Non-handed latch, suitable for public buildings, with small case



D549 R/L

Mortise latch, suitable for public buildings, can be used on left and right, due to reversible latch, lock case enclosed and zinc-coated, ... mm bolt, 8 oder 9 mm fixed follower mounted in self-lubricating sinter metal rings. Satin stainless steel face plate, malleable cast iron latch, polished and nickel-coated.

Backset • • 55 60 65 70 80 90 100 mm



Version	A
	55, 60, 65, 70, 80, 90, 100

■ face plate surface (OF=)	Stainless steel (satin)
	Stainless steel (polished)
	Brass (satin)
	Brass (polished)
	Painted other colours

■ strike plate determined in acc. with catalogue group 9

Special versions

- completely zinc-coated
- nickel-coated ball oiler
- further special versions available on request

Keys and strike plates

	Article no.	Page
Keys		
Tumbler key	D640	76
Chubb key	D606	76
Strike plates		
Flanged strike plate ZT	D001	77
Flanged strike plate ZT, rectangular	D001 R/L K	77
Flanged strike plate ZT, round	D001 R/L R	77
Flanged strike plate for self-locking locks	D001 SV	77
Angled face plate plate ZT	D003	78
Angled face plate plate, narrow on one side	D003 S	78
Perfect plate	D005	78
Angled face plate plate HT	D007	78
Flanged strike plate HT	D009	79
Strike plate for roller latch lock with bolt	D010	79
Strike plate for roller latch lock	D011	79
Strike plate for dead bolt lock	D012	79
Angled face plate for latch lock	D013	80
Flanged strike plate for latch lock	D014	80
Strike plate for hook bolt	D015	80
Strike plate for hook bolt	D016	80
Angled face plate with plastic space plate	D032/10	81
Strike plate for metal frame lock, 72 mm	D033/72	81
Strike plate for metal frame lock, 92 mm	D033/92	81
Strike plate for metal frame dead bolt lock	D033 RI	82
Security strike plate, 300 mm, 2 wall anchors	D054	82
Automatic closing mechanism	D025	82
Security strike plate	D029	82
Strike plate for metal frame lock	D034	82
Strike plate 340 Serie	P344 / 349	83
	P345	83
	P348	83
Strike plate 6100 Serie	P6109	83
	P6105	83
	P6108	83
Strike plate 6600 Serie	P6602	83
	P6622	83
	P6632	83

D640 / D606

Tumbler key, Chubb key



D640 (S) Tumbler key

Folding ring key for sliding door lock.

Available in tails:

① ② ⑱ ⑲ ⑳ ㉑ ㉒ ㉓ ㉔ ㉕



D606 Chubb key

Tumbler length	10,0 mm
----------------	---------

Web and tumbler length	20,0 mm
------------------------	---------

Web thickness	7,0 mm
---------------	--------

Overall length	80,0 mm
----------------	---------

With 100 mm overall length available in tails:

⑪ ⑫ ⑮ ⑯ ⑰ ⑱ ⑲ ㉑ ㉒

Strike plates

D009 HT flanged strike plate

Round and rectangular available, indication of left or right required

Painted aluminium finish

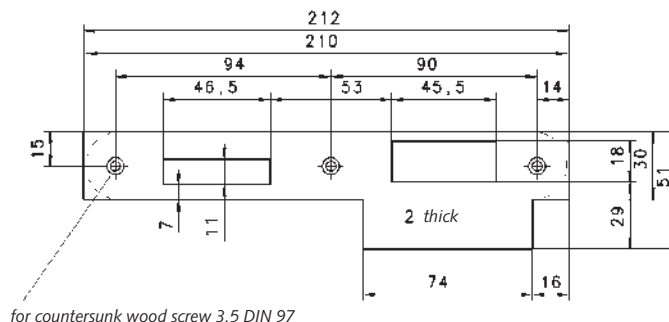
Stainless steel (satin)

Stainless steel (polished)

Brass (satin)

Brass (polished)

Painted other colours



D010 Strike plate

For roller latch locks with additional bolt,
Round and rectangular available

Painted aluminium finish

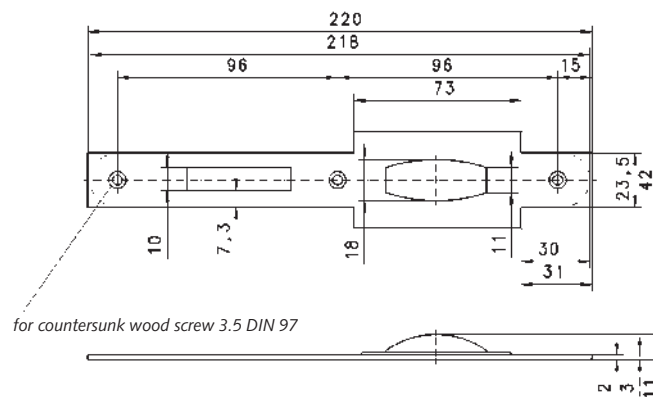
Stainless steel (satin)

Stainless steel (polished)

Brass (satin)

Brass (polished)

Painted other colours



D011 Strike plate

For roller latch lock, round and rectangular available

Painted aluminium finish

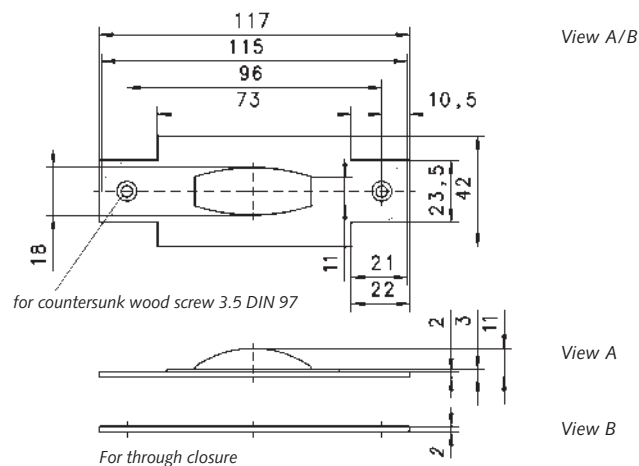
Stainless steel (satin)

Stainless steel (polished)

Brass (satin)

Brass (polished)

Painted other colours



D012 Strike plate

For dead bolt lock, round and rectangular available

Painted aluminium finish

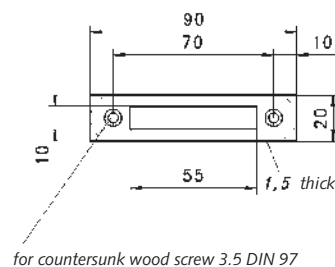
Stainless steel (satin)

Stainless steel (polished)

Brass (satin)

Brass (polished)

Painted other colours



Strike plates

D013 Angled face plate

For latch lock, round and rectangular available

Painted aluminium finish

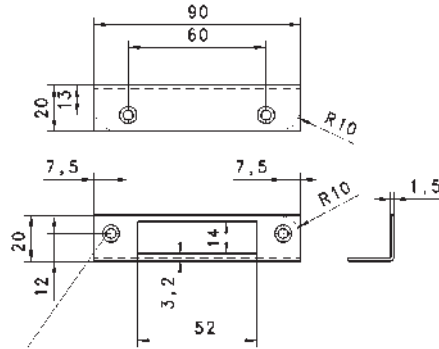
Stainless steel (satin)

Stainless steel (polished)

Brass (satin)

Brass (polished)

Painted other colours



for countersunk wood screw 3.5 DIN 97

D014 Flanged strike plate

For latch lock, round and rectangular available

Painted aluminium finish

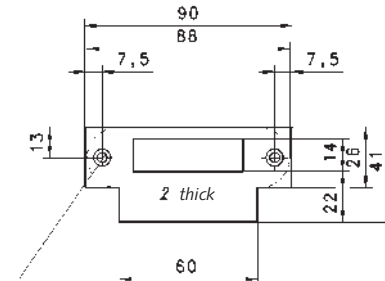
Stainless steel (satin)

Stainless steel (polished)

Brass (satin)

Brass (polished)

Painted other colours



for countersunk wood screw 3.5 DIN 97

D015 Strike plate

For rim dead bolt, round and rectangular available

Painted aluminium finish

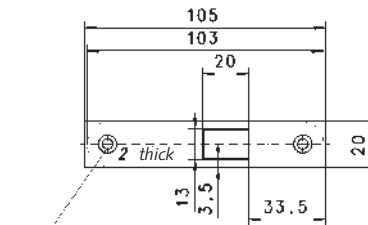
Stainless steel (satin)

Stainless steel (polished)

Brass (satin)

Brass (polished)

Painted other colours



for countersunk wood screw 3.5 DIN 97

D016 Strike plate

For hook bolt, round and rectangular available

Painted aluminium finish

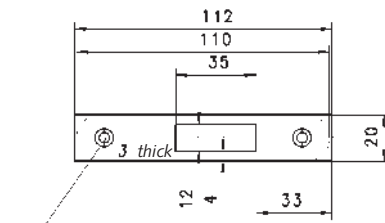
Stainless steel (satin)

Stainless steel (polished)

Brass (satin)

Brass (polished)

Painted other colours



for countersunk wood screw 3.5 DIN 97

Strike plates

D032/10 ZT-angled face plate

With plastic space plate, for right/left hand use,
(indication of left or right required for FA/RI)

Painted aluminium finish

Stainless steel (satin)

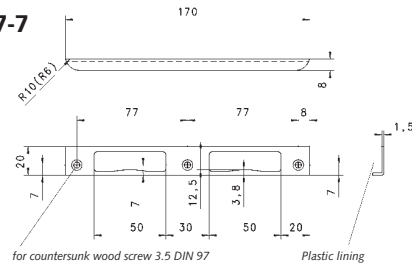
Stainless steel (polished)

Brass (satin)

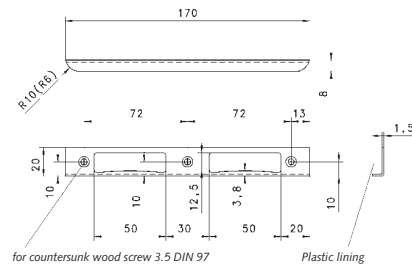
Brass (polished)

Painted other colours

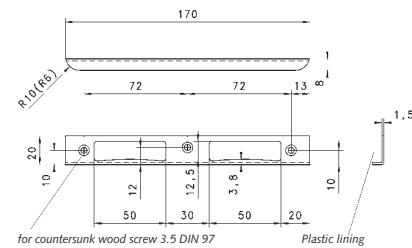
Hole template 7-7-7



Hole template 10-10-10



Hole template 10-12-10



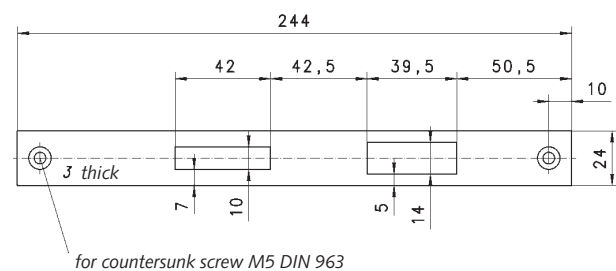
D033/72 Strike plate

For metal frame lock, 72 mm distance,
round and rectangular available, no left/right
indication required

Zinc-coated

Stainless steel (satin)

Stainless steel (polished)



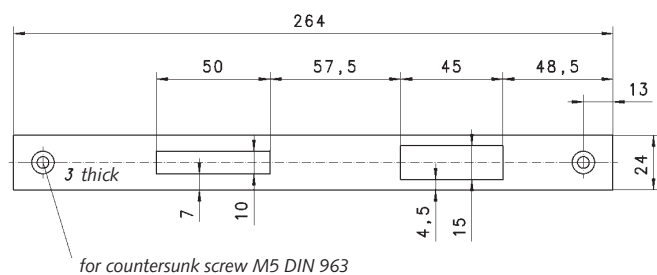
D033/92 Strike plate

For metal frame lock, 92 mm distance,
round and rectangular available, no left/right
indication required

Zinc-coated

Stainless steel (satin)

Stainless steel (polished)



Strike plates

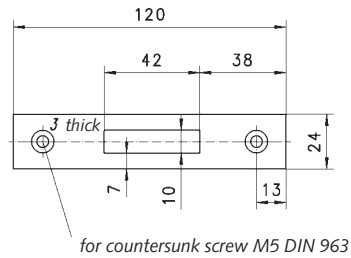
D033 RI Strike plate

For metal frame dead lock, round and rectangular available, indication of left/right required

Zinc-coated

Stainless steel (satin)

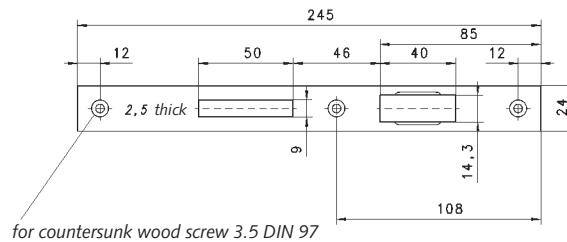
Stainless steel (polished)



D034 Strike plate

For D034 lock, for right/left hand use

Stainless steel (satin)

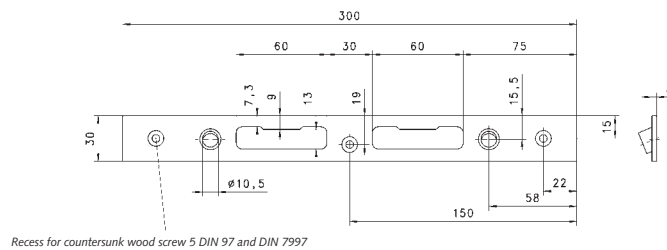


D054 Security strike plate

With 2 wall anchors, rectangular, for right/left hand use

Zinc-coated

Painted

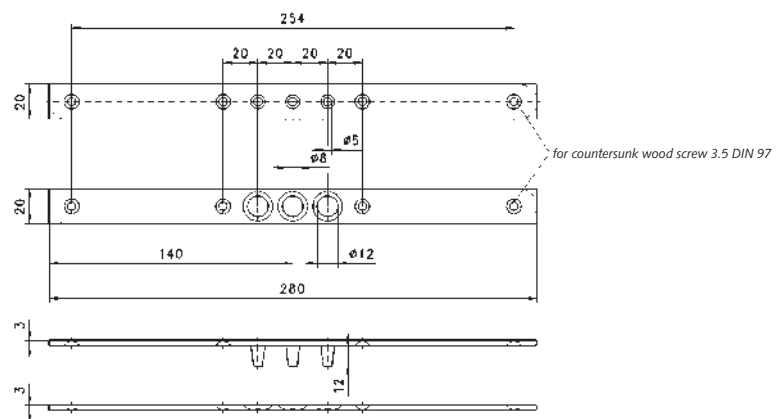


D025 Automatic closing mechanism

For hinge side of door, round and rectangular available, indication of left/right required

Zinc-coated

Nickel-coated iron (satin)



D029 Security strike plate

For right/left hand use, round and rectangular available,

Zinc-coated

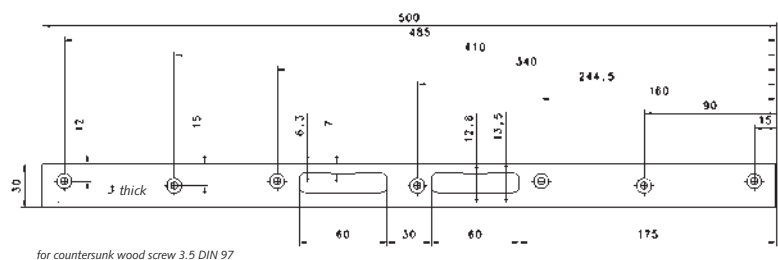
Painted

Stainless steel

Brass (satin)

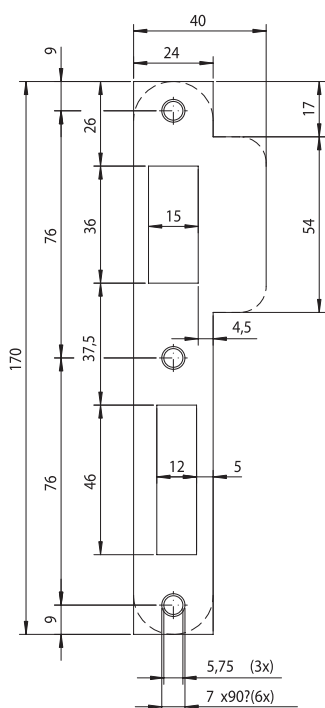
Brass (polished)

Painted other colours

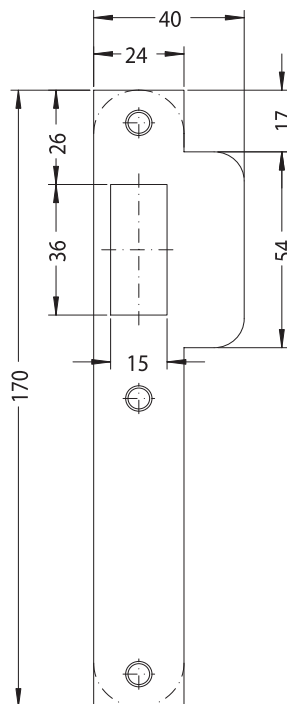


Strike plates

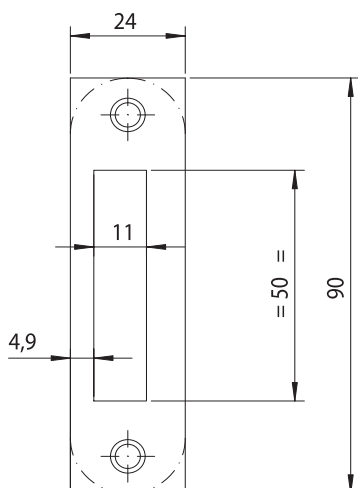
340 series



P344/349 (square and rounded)



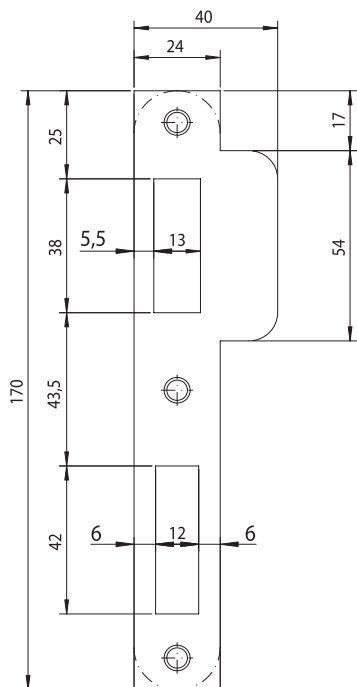
P345 (square and rounded)



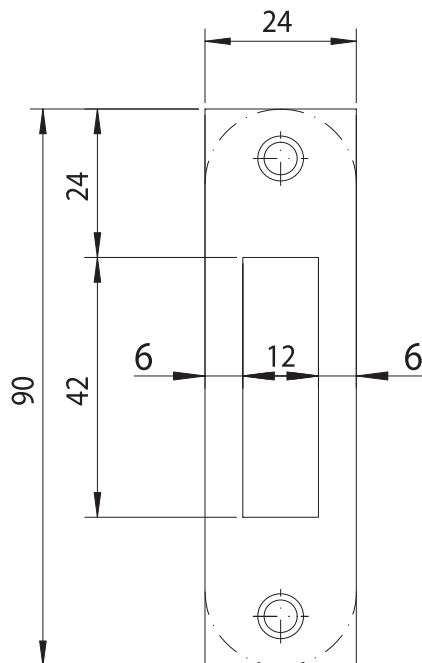
P348 (square and rounded)

Strike plates

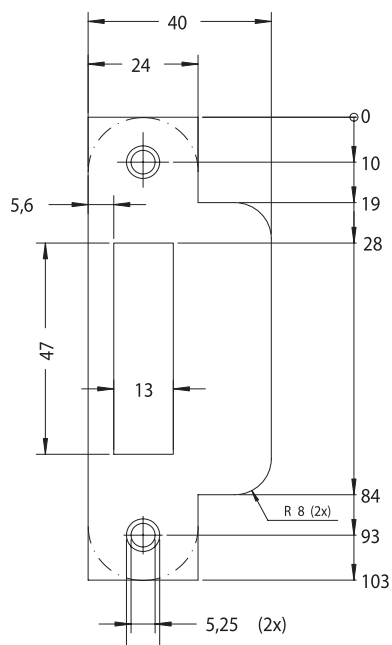
6600 series



P6602 (square and rounded)



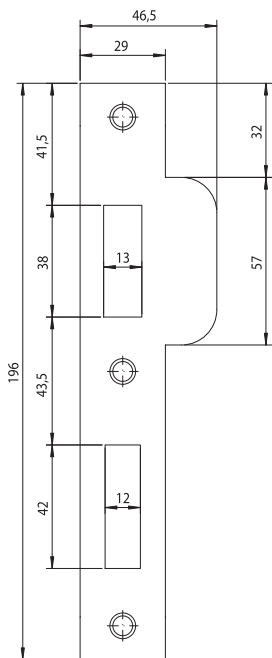
P6622 (square and rounded)



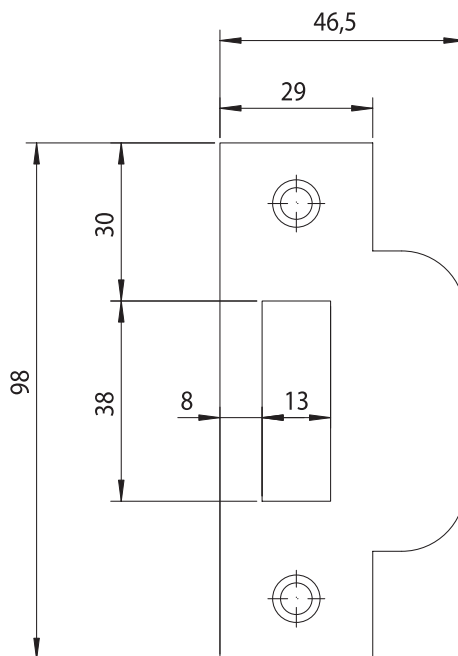
P6632 (square and rounded)

Strike plates

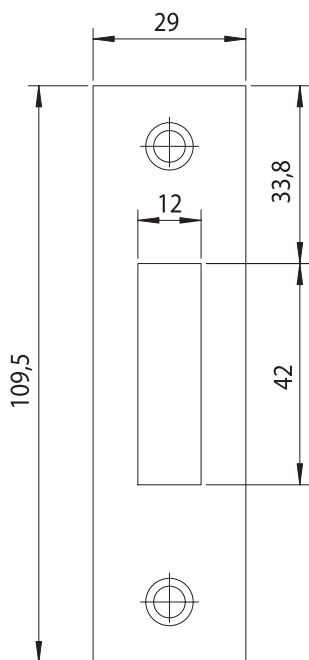
6100 series



P6109 (square)



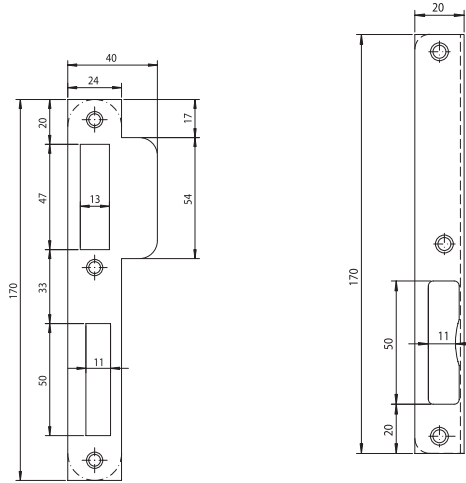
P6105 (square)



P6108 (square)

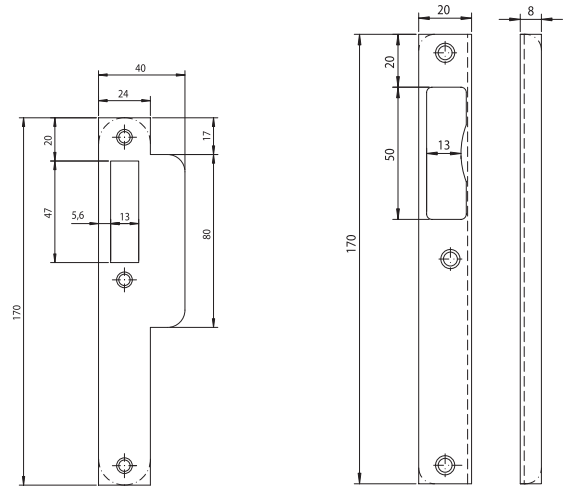
Strike plates

1060/7000 Serie



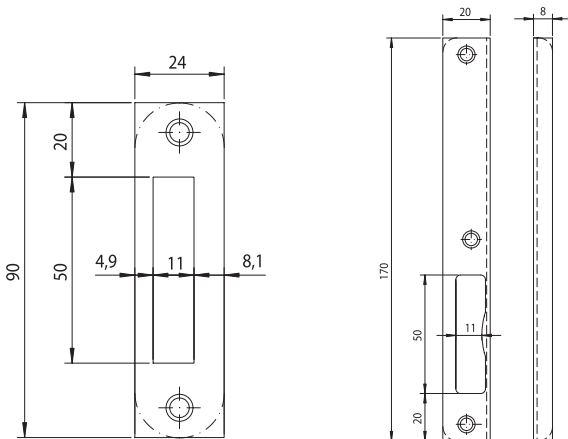
P7000 (square and rounded)

HP7000 (square and rounded)



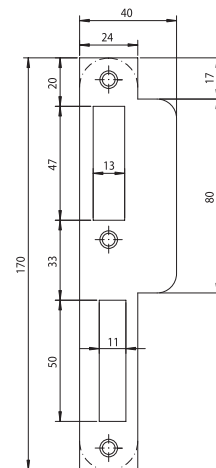
P7003 for auxiliary latch
(square and rounded)

HP7003 (square and rounded)

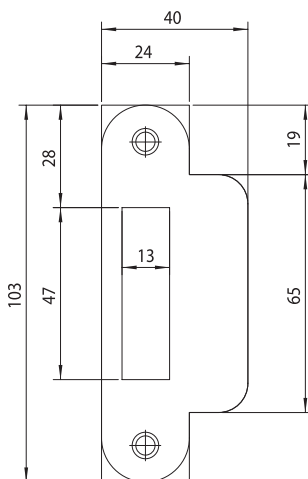


P7002 (square and rounded)

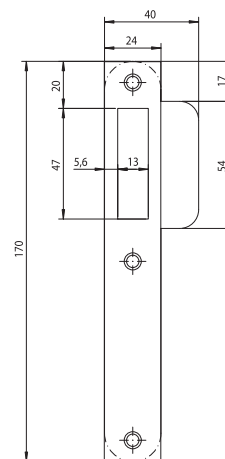
HP7002 (square and rounded)



P7200 (square and rounded)



P7003 (square and rounded)



P1065 (square and rounded)

ASSA ABLOY is the global leader in door opening solutions, dedicated to satisfying end-user needs for security, safety and convenience.



ASSA ABLOY

ASSA ABLOY Nederland B.V.
Business Unit Nemef
P.O. Box 13
7300 AA Apeldoorn
The Netherlands
Tel. +31 55 3128400
Fax +31 55 3128406
export@nemef.nl
www.nemef.com